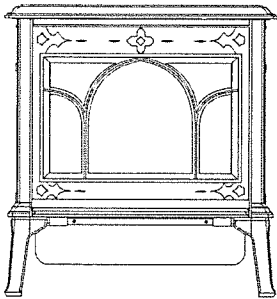




Jøtul GF 100 DV Nordic QT Gas Heater



Installation and Operation Instructions



WARNING:

IF THE INFORMATION IN THESE INSTRUCTIONS ARE NOT FOLLOWED EXACTLY, A FIRE OR EXPLOSION MAY RESULT CAUSING PROPERTY DAMAGE, PERSONAL INJURY OR LOSS OF LIFE.

FOR YOUR SAFETY:

DO NOT STORE OR USE GASOLINE OR OTHER FLAMMABLE VAPORS AND LIQUIDS IN THE VICINITY OF THIS OR ANY OTHER APPLIANCE.

INSTALLATION:

INSTALLATION AND SERVICE MUST BE PERFORMED BY A QUALIFIED INSTALLER, SERVICE AGENCY OR LICENSED GAS SUPPLIER.

WHAT TO DO IF YOU SMELL GAS:

- **DO NOT TRY TO LIGHT ANY APPLIANCE.**
- **DO NOT TOUCH ANY ELECTRICAL SWITCHES.**
- **DO NOT USE THE PHONE IN YOUR BUILDING. IMMEDIATELY CALL YOUR GAS SUPPLIER FROM A NEIGHBOR'S PHONE.**
- **FOLLOW YOUR GAS SUPPLIER'S INSTRUCTIONS.**
- **IF YOU CANNOT REACH YOUR GAS SUPPLIER, CALL THE FIRE DEPARTMENT.**

AVERTISSEMENT:

ASSUREZ-VOUS DE BIEN SUIVRE LES INSTRUCTIONS DANS CETTE NOTICE POUR REDUIRE AU MINIMUM LE RISQUE D'INCENDIE OU POUR EVITER TOUT DOMMAGE MATERIEL, TOUTE BLESSURE OU MORTALIT'E.

NE PAS ENTREPOSER NI UTILISER D'ESSENCE NI OU LIQUIDES INFLAMMABLES DANS LE VOISINAGE DE CET APPAREIL OU DE TOUT AUTRE APPAREIL.

L'INSTALLATION LE SERVICE DOIVENT ETRE EXECUTES PAR UN INSTALLATEUR QUALIFIE, AGENCE DE SERVICE OU LE FOURNISSEUR DE GAZ.

QUE FAIRE SI VOUS SENTEZ UNE ODEUR DE GAZ.

- **NE PAS TENTER D'ALLUMER L'APPAREIL**
- **NE TOUCHEZ A AUCUN INTERRUPTEUR.**
- **NE PAS VOUS SERVIR DES TELEPHONES SE TROUVANT DANS LE BATIMENT OU VOUS VOUS TROUVEZ.**
- **APPELEZ IMMEDIATEMENT VOTRE FOURNISSEUR DE GAZ CHEZ UN VOISIN. SUIVEZ LES INSTRUCTIONS DU FOURNISSEUR.**
- **SI VOUS NE POUVEZ REJOINDRE LE FOURNISSEUR DE GAZ, APPELEZ LE SERVICE DES INCENDIES.**

Welcome to Jøtul...

Congratulations on the purchase of your new Jøtul GF100 DV Nordic QT Gas Heater.

We at Jøtul are glad you've made the decision to warm your hearth with a Jøtul product. Your new stove exemplifies over 150 years experience as the world's largest manufacturer of solid fuel burning appliances. We've been making fine quality cast iron wood and coal stoves and fireplaces continuously since 1853.

In the Nordic QT, we've combined advanced gas technology with the warm, traditional elements of cast iron. With proper use and care, your Jøtul stove will provide you with many years of safe, dependable and satisfying service.

The Jøtul GF100 DV Nordic QT is a direct vented gas heater designed and approved for installation into a variety of configurations where close clearance to combustible material is required. Please take a few minutes to familiarize yourself with this manual and the features of your new Jøtul stove.



Table of Contents

- Service Tools 3
- Specifications 4
- General Information 5
- Safety Information 6
- Installation Requirements
 - Location 6
 - Hearth Protection 6
 - Clearances 7
 - Mantel & Trim 7
 - Alcove 7
- Vent Requirements
 - Adding Restriction 8
 - Vent Termination 9
 - Horizontal Termination 10
 - Vent Terminal Clearances 12
- Mobile Home Installation 13
- Fuel Conversion 13
- Gas Connection 15
- Gas Pressure 16
- High Altitude Adjustment 16
- Air Shutter Adjustment 17
- Wall Thermostat 18
- Remote Control 18
- Log Set Installation 18
- System Check 19
- Operation 20
- Maintenance 20
 - Glass Replacement 21
- Illustrated Parts Breakdown 22
- Replacement Parts List 23
- Lighting Instructions Back Cover

**THIS PRODUCT MUST BE INSTALLED BY
A LICENSED PLUMBER OR GAS-FITTER
WHEN INSTALLED IN THE COMMON-
WEALTH OF MASSACHUSETTS.**


Jøtul GF100 DV Nordic QT Direct Vent Gas Heater

Manufactured and Distributed by:
Jøtul A.S.A.
Fredrikstad, Norway
Jøtul North America
Portland, Maine

Test Standards

This appliance complies with National Safety standards and is tested and listed by Intertek Testing Services of Middleton, Wisconsin to ANSI Z21.88-2002 • CSA 2.33-M02 and CSA P.4.-01.2 for Canada.

DO NOT ATTEMPT TO ALTER OR MODIFY THE CONSTRUCTION OF THE APPLIANCE OR ITS COMPONENTS. ANY MODIFICATION OR ALTERATION WILL VOID THE WARRANTY, CERTIFICATION AND LISTING OF THIS APPLIANCE.





www.nficertified.org

We at Jøtul North America are dedicated to manufacturing the finest quality hearth products you can be assured will give you many years of safe, dependable service.

To ensure your confidence, we recommend that whenever possible, our products be installed and serviced by professionals who are certified by the National Fireplace Institute (NFI) or, in Canada, by Wood Energy Technical Training (WETT).



GF 100 DV Nordic QT Specifications

Input Rates

Natural Gas

14,500 BTU/hr. maximum input
10,600 BTU/hr. minimum input

Propane

14,000 BTU/hr. maximum input
10,900 BTU/hr. minimum input

Inlet Pressure:

MIN

MAX

Natural Gas: 5.0 WC (1.24 kPa) 7.0 WC (1.74 kPa)

Propane: 11.0 WC (2.74 kPa) 13.0 WC (3.23 kPa)

Manifold Pressure: **MIN**

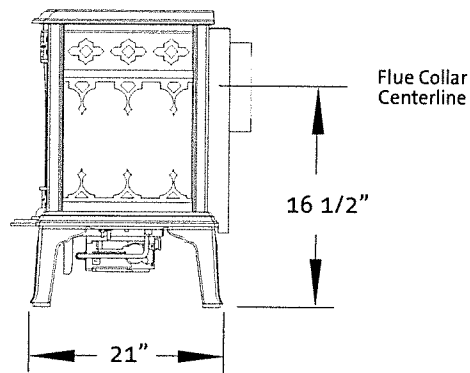
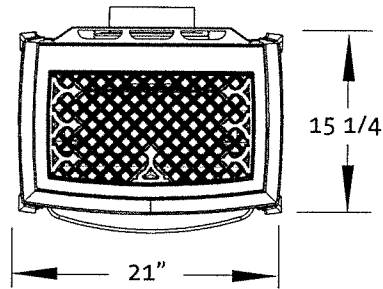
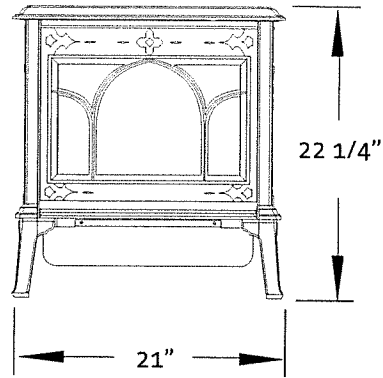
MAX

Natural Gas: 2.2 WC (.55 kPa) 3.5 WC (.85 kPa)

Propane: 6.5 WC (1.59 kPa) 10.0 WC (2.49 kPa)

Piezo Ignitor / Standing Pilot

Weight: 150 lbs.



Suggested Tools for Installation and Service

- External regulator (for Propane only)
- Piping which complies with local code
- Manual shutoff valve (T-Handle in Massachusetts)
- Sediment trap - if required by code
- Tee joint
- Pipe wrench
- Pipe sealant
- 10 mm open end wrench
- 1/2", 7/16" open end wrench or deep socket
- Phillips head screwdriver
- Flat head screwdriver
- 1/4" nut driver
- 4 mm allen wrench
- Gloves
- Safety glasses
- Torx T20 screwdriver
- Leak test solution
- Reciprocating Saw
- Power Drill

Hardware Bag Contents

- Fuel Conversion Kit - LP 154379
- Exhaust Restrictor Plate 12934492
- Wall Shield 12948792
- Ember Bag , 6 oz. 129123

General Information

- THIS HEATER MUST BE INSTALLED AND MAINTAINED BY A QUALIFIED SERVICE AGENCY.
- The installation and repair of this appliance must be done by a qualified service person. Failure to properly install and maintain this heater could result in an unsafe or hazardous installation, which may result in a fire, explosion, property damage, personal injury or loss of life.
- This appliance should be inspected before use and at least annually. More frequent cleaning may be required due to excessive lint from carpeting, bedding material, etc. It is imperative that control compartments, burners, and circulating air passageways of the appliance be kept clean.
- THIS APPLIANCE MUST NOT BE CONNECTED TO A CHIMNEY OR FLUE SERVING ANY OTHER APPLIANCE.
- The installation must conform to local codes. Your local Jøtul dealer can assist you in determining what is required in your area for a safe and legal installation. Some areas require a permit to install a gas burning appliance. Always consult your local building inspector, or authority having jurisdiction, to determine what regulations apply in your area.
- REMEMBER: Your local officials have final authority in determining if a proposed installation is acceptable. Any requirement that is requested by the local authority having jurisdiction, that is not specifically addressed in THIS manual, defaults to local code. In the absence of local codes, the installation requirements must comply with the current National codes. In the U.S., these requirements are established in the National Fuel Code, ANSI Z223.1.(NFPA 54). In Canada, the codes have been established in CAN/CGA B149 Fuel Installation Code.
- Installer l'appareil selon les codes ou règlements locaux, ou, en l'absence de tels règlements, selon les Codes d'installation CAN/CGA-B149.
- DO NOT OPERATE THIS STOVE IF ANY PART HAS BEEN UNDER WATER. Call a qualified service technician to inspect the heater and to replace any part of the control system and any gas control which may have been under water.
- Ne pas se servir de cet appareil s'il a été plongé dans l'eau, complètement ou en partie. Appeler un technicien qualifié pour inspecter l'appareil et remplacer toute partie du système de contrôle et toute commande qui ont été plongés dans l'eau.

Glass Front

Do not operate the Nordic QT gas stove with the glass front removed, cracked, or broken. Replacement of the glass should be done by a licensed or qualified service person. Only remove glass for routine service. Always handle glass carefully.

THIS FIREPLACE IS SHIPPED FROM THE FACTORY FOR USE WITH NATURAL GAS ONLY. IF USE WITH PROPANE IS DESIRED, THE APPLIANCE MUST FIRST BE CONVERTED USING THE FUEL CONVERSION KIT PROVIDED, #154379. CONVERSION SHOULD BE MADE BEFORE THE APPLIANCE IS INSTALLED.

Safety Information

During normal operation, the Nordic QT gas stove will reach high surface temperatures. Therefore:

- Due to the high operating temperatures, this appliance should be located out of traffic areas and away from furniture and draperies.
- Children and adults should be alerted to the hazards of high surface temperatures and should stay away to avoid burns and/or clothing ignition.
- Young children should be supervised while they are in the same room as the Nordic QT gas stove.
- Clothing or other flammable materials should not be placed ON or NEAR the Nordic QT gas stove. Surveiller les enfants. Garder les vêtements, les meubles, l'essence ou autres liquides à vapeur inflammables loin de l'appareil.
- NEVER store or use gasoline or any other flammable vapors or liquids in the vicinity of the Nordic QT gas stove.
- Never burn any other materials in your Nordic QT gas stove, it is strictly designed for use with natural gas or propane fuel ONLY.
- Any safety screen, glass or guard removed for servicing the appliance must be replaced prior to operating the appliance.

Location

In selecting a location for the stove, consider the following points:

- 1) Heat distribution
- 2) Vent termination requirements
- 3) Gas supply line routing
- 4) Traffic areas, furniture, draperies, etc.

The GF100 Nordic QT may be located on or near conventional construction materials, however, proper clearance to combustibles must be maintained in order to provide adequate air circulation around the appliance. Also, it is important to provide adequate access around the stove for servicing and proper operation.

The clearance and hearth specifications listed in this manual are the minimum requirements for combustible material. A combustible material is anything that can burn (i.e. sheet rock, wall paper, wood, fabrics etc.). These surfaces are not limited to those that are visible and also include materials that may be located behind non-combustibles.

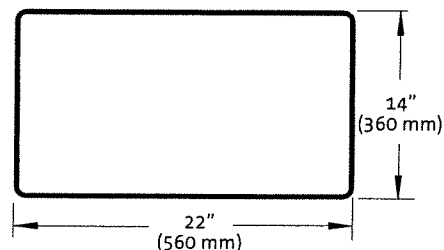
If you are not sure of the combustible nature of a material, consult your local fire officials. Remember, "Fire Resistant" materials are considered combustible: they are difficult to ignite, but will burn. Also, "fire-rated" sheet rock is considered combustible.

Hearth Requirements

The Nordic QT gas stove CANNOT be installed directly on carpeting, vinyl, linoleum or Pergo®.

If this appliance will be installed on any combustible material OTHER THAN WOOD, a floor pad must be installed that is either metal or wood, or a listed hearth pad. This floor protection must extend the full width and depth of the appliance. It is not necessary to remove carpeting, vinyl or linoleum from underneath the floor protection. See fig. 1.

Figure 1. Minimum Hearth Protection.



Stove and Vent Clearance Requirements

Minimum Clearances from the Stove to Combustibles:

See figs. 2-4.

- Rear: 0" (0 mm)
- Ceiling: 25" (635 mm)
- Corner: 2" (50 mm)
- Right Side: 3" (76 mm)
- Left Side: 10" (254 mm) - for access to Lighting Instruction plate

Minimum Clearances from the Vent Pipe to Combustibles:

Horizontal Run:

- Off the top of the pipe 2" (50 mm)
- Off the sides and bottom 1" (25 mm)

Vertical Run:

- All sides 1" (25 mm)

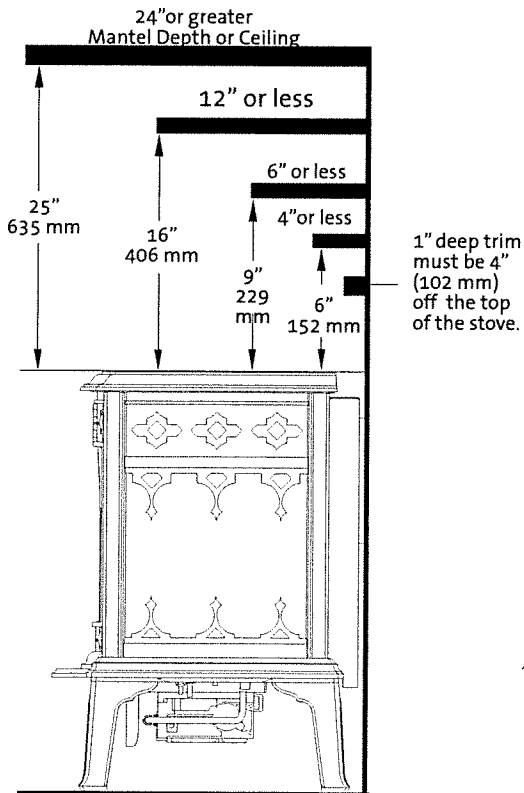
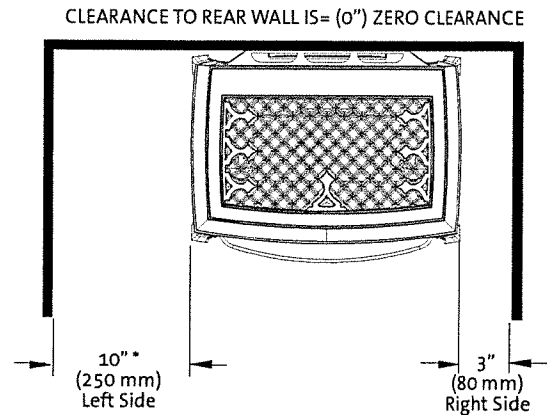


Figure 2. Mantel and Trim Clearance specifications.



* Allow 10" on left side of the appliance for complete access to the lighting instructions and control valve.

Figure 3. Parallel Installation Clearances.

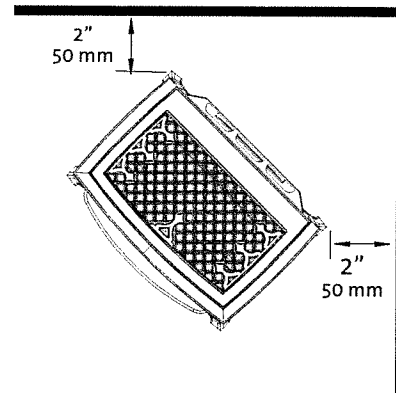


Figure 4. Corner Clearances.

Alcove Installation

- Maximum Alcove Depth: 24" (610 mm)
- Minimum Alcove Width: 34" (864 mm)
- Minimum Ceiling Height: 47" (1094 mm)

Venting Requirements

The Jøtul GF100 Nordic QT gas stove may be installed with a vertical or horizontal termination and must conform to the configuration requirements described below.

This appliance is approved for use with vent systems from the following manufacturers:

- **Simpson Dura-Vent GS**
- **Selkirk Metalbestos**
- **Security Vent Ltd.**
- **Amerivent Corporation**

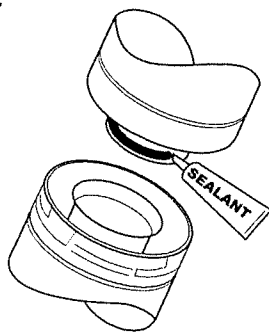
Use parts of one manufacturer only - DO NOT MIX VENT COMPONENTS FROM DIFFERENT MANUFACTURERS IN THE SAME SYSTEM.

Installation of any components not manufactured or approved by Jøtul or failure to meet all clearance requirements will void all warranties and could result in property damage, bodily injury, or serious fire.

The approved vent configurations described in this manual are derived from extensive testing under controlled laboratory conditions. Gas appliance performance can be negatively affected by variables present in the installation environment, i.e: atmospheric pressure, strong prevailing winds, adjacent structures and trees, snow accumulation, etc. These conditions should be taken into consideration by the installer and stove owner when planning the vent system design.

IMPORTANT

- **JOINT SEALING REQUIREMENT:**
APPLY A 1/8" BEAD OF HIGH-TEMPERATURE (750°F) SEALANT TO THE MALE SECTION OF THE INNER VENT PIPE. THE CEMENT SHOULD FORM A SEAL BETWEEN THE INNER AND OUTER PIPES.
- NEVER MODIFY ANY VENTING COMPONENT, OR USE ANY DAMAGED VENTING PRODUCT.
- THE GAS APPLIANCE AND VENT SYSTEM MUST BE VENTED DIRECTLY TO THE OUTSIDE OF THE BUILDING AND NEVER ATTACHED TO A CHIMNEY SERVING A SOLID FUEL OR GAS BURNING APPLIANCE. EACH DIRECT VENT GAS APPLIANCE MUST HAVE ITS OWN SEPARATE VENT SYSTEM. COMMON VENT SYSTEMS ARE PROHIBITED.
- IF VENTING SYSTEM IS DISASSEMBLED FOR ANY REASON, REINSTALL PER THE INSTRUCTIONS PROVIDED FOR THE INITIAL INSTALLATION.



Vent Restriction

The Nordic QT is shipped with an Exhaust Restrictor Plate which prevents overly strong draft that can cause poor combustion and weak flame picture. **The Exhaust Restrictor should be installed on any stove using a vertical termination or snorkel termination.**

Additional restriction may be needed depending the overall vent height. Most vent manufacturer's offer in-line vent restrictors that install between two pipe sections. Follow the vent manufacturer's installation instructions.

Exhaust Restrictor Plate:

1. Remove the glass panel and log set.
2. Using a 1/4" nut driver, remove the two sheet metal screws in the rear wall of the firebox below the exhaust hole. See fig. 5.
3. Install the restrictor plate over the lower half of the exhaust hole and secure the plate using the same screws that were just removed.
4. Reinstall logs and glass.

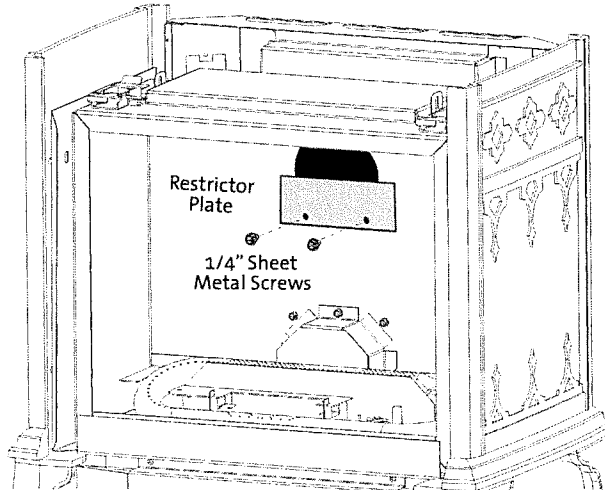


Figure 5. Installing the Exhaust Restrictor Plate.

Vertical Venting

The Jøtul GF100 DV Nordic QT is approved for vertical venting through a ceiling or to a roof termination following these guidelines:

- The termination should fall within the shaded area of the grid depicted in fig. 6 below. Maximum Vertical should not exceed 15 ft. (4.57 m)
- In no case shall any discharge opening on the termination cap be less than 18" (457 mm) horizontally from the roof surface. See fig. 7.
- Steep roofs, nearby trees, and predominantly windy conditions can contribute to poor draft and/or promote down-draft occurrences. Increasing the height of the vent may alleviate these conditions.
- Use approved vent manufacturer's Wall Straps to support an offset pipe run at three feet intervals to avoid excessive stress on the offsets.
- Whenever possible use 45° elbows instead of 90° elbows as they are less restrictive to exhaust gas and intake air flow.
- A firestop is required at every floor. Firestops are available from all vent manufacturers. The opening should be framed to 10" X 10" inside dimension.
- Any venting that is exposed above the first floor, regardless of attic space or living space, must be enclosed. Always maintain the required 1" clearance from all sides of the vertical vent system.
- **A vertical run in any horizontally-terminated system must rise a minimum of 1 ft.** See fig. 12.
- Install the Exhaust Gas Restrictor in all vertically terminated or snorkel terminated vent systems. See Vent Restriction on page 8.

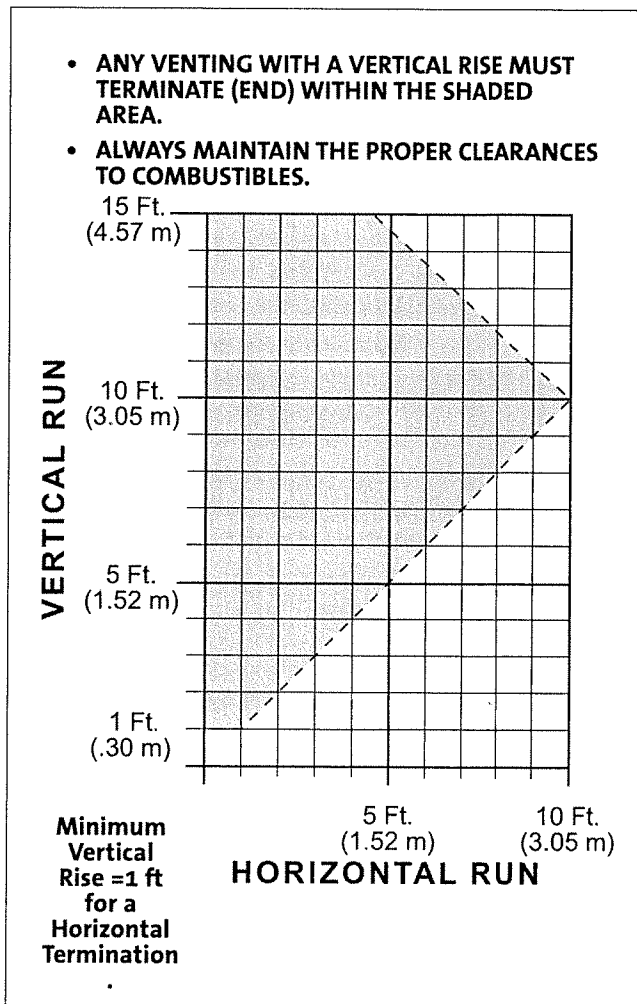


Figure 6. GF100 DV Nordic Vent Window - any termination must fall within the shaded area dimensions.

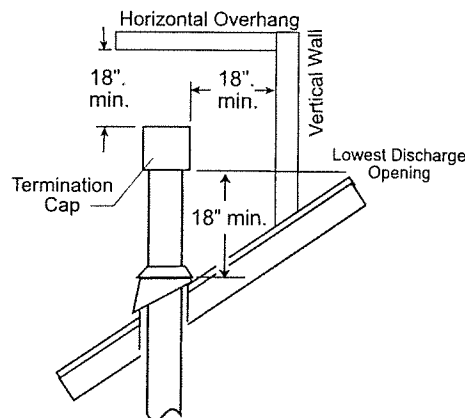


Figure 7. Minimum vertical termination height and roof clearance.

Horizontal Termination

- **Wall Cut-out Opening:** A minimum 10" X 10" (250 mm x 250 mm) square hole is required for proper pipe clearances through a combustible wall. Use vent manufacturer's WALL THIMBLE for the wall penetration.

DO NOT FILL AIR SPACE WITH ANY TYPE OF INSULATION.

- The minimum horizontal run made directly off the rear of the stove into a standard horizontal cap shall be no less than a 6" vent section. See fig. 8.
- The maximum horizontal run made directly off the rear of the stove into a standard horizontal cap (#984 or #985) must include no more than a **12" and 6"** section of Simpson Dura-Vent pipe installed together. See fig.9.
- The maximum horizontal run made directly off the rear of the stove into a 14" snorkel cap must include no more than a 24" vent section . See fig. 10.
- The horizontal termination cap must maintain a 3" clearance to any overhead combustible projections 2 1/2" or less. It must also maintain 12" clearance from projections exceeding 2 1/2". See fig. 14.
- Any horizontal run of vent must be level or have a 1/4" rise for every foot of run toward the termination cap. NEVER ALLOW THE VENTING TO RUN DOWNWARD FROM STOVE TO TERMINATION; DOWNWARD VENT RUNS TRAP HEAT AND CAUSE HIGH TEMPERATURES TO DEVELOP WITHIN THE VENT THAT COULD START A FIRE.
- Install a Vinyl Siding Standoff between the vent termination and an exterior wall covered by vinyl siding material to prevent potential heat damage to the siding.
- Do not recess the termination cap into a wall or siding.

Options for immediate horizontal venting directly off the rear of the stove

Figure 8. Minimum Horizontal Run - Standard Termination.

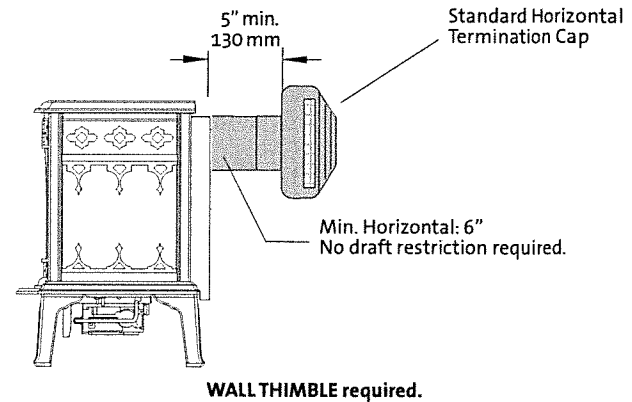


Figure 9. Maximum Horizontal Run - Standard Termination.

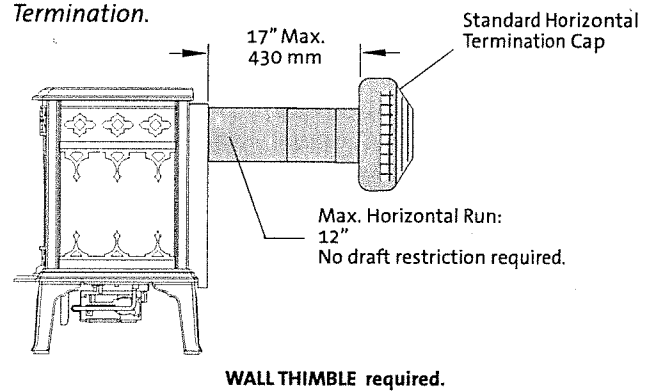


Figure 10. Maximum Horizontal Run with Snorkel Termination.

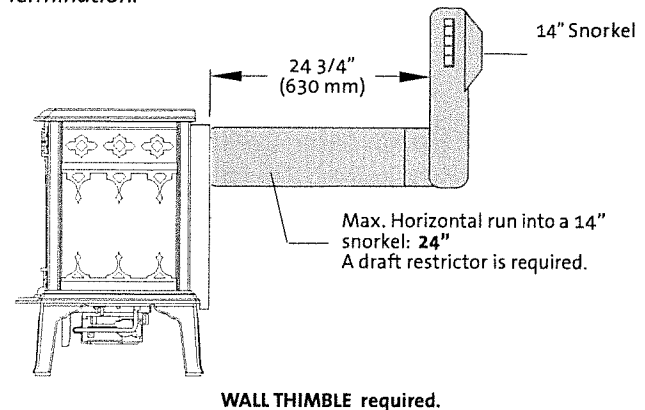
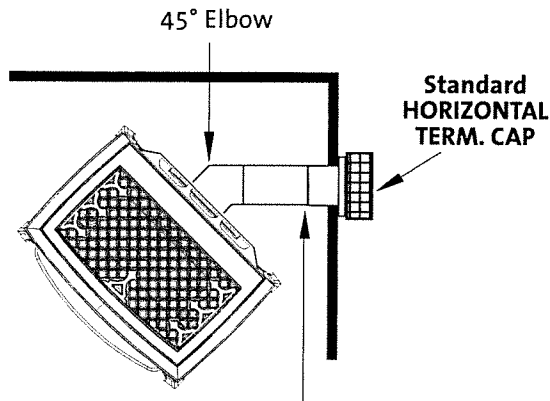


Figure 11.

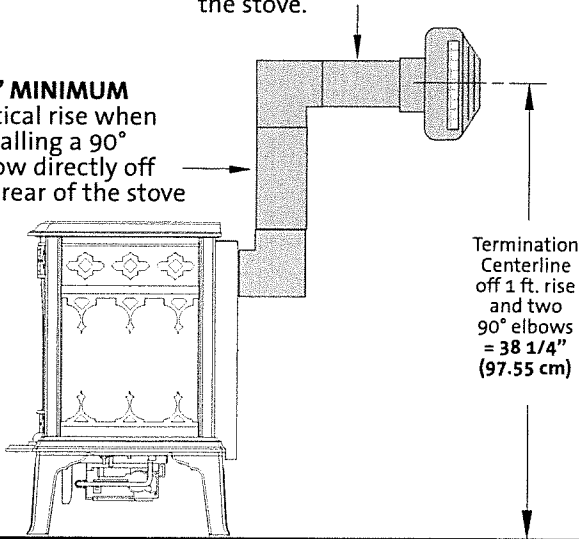
CORNER INSTALLATION



Max. Horizontal Run into a STANDARD HORIZONTAL CAP: 45° elbow + 9" + 6" sections (totalling 17" horizontal).

12" Maximum horizontal when installing the stove with a 1 ft. vertical directly off the rear of the stove.

12" MINIMUM vertical rise when installing a 90° elbow directly off the rear of the stove



Termination Centerline off 1 ft. rise and two 90° elbows = 38 1/4" (97.55 cm)

WALL THIMBLE required in all installations passing through combustible wall.

Figure 12. A vertical run in a horizontally-terminated installation must rise a minimum of 1 ft. The horizontal run must be a minimum of 1 ft.

Wall Shield Installation

The decorative Wall Shield, included with the Nordic QT, is used to cover the vent hole in the wall in installations vented directly off the rear of the stove. Follow this procedure:

1. Remove the top two 1/4" hex head screws from the rear shroud of the stove.
2. Align the holes in the wall shield with the holes in the rear shroud.
3. Secure the wall shield to the stove with the two 1/4" hex head screws. See fig. 13.

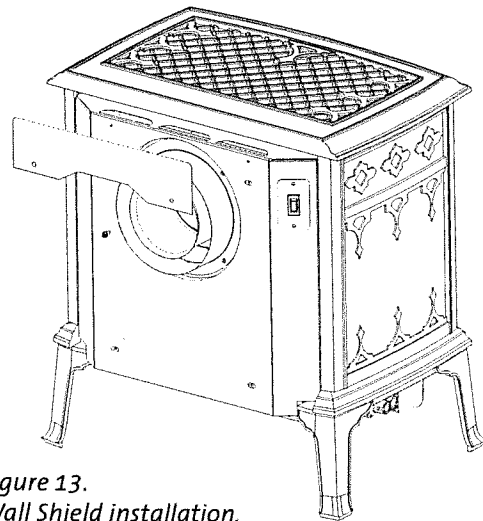


Figure 13. Wall Shield installation.

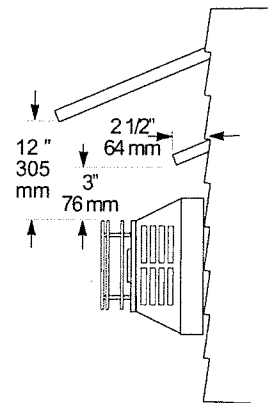


Figure 14. Termination Clearance to overhangs

Horizontal Termination Clearance

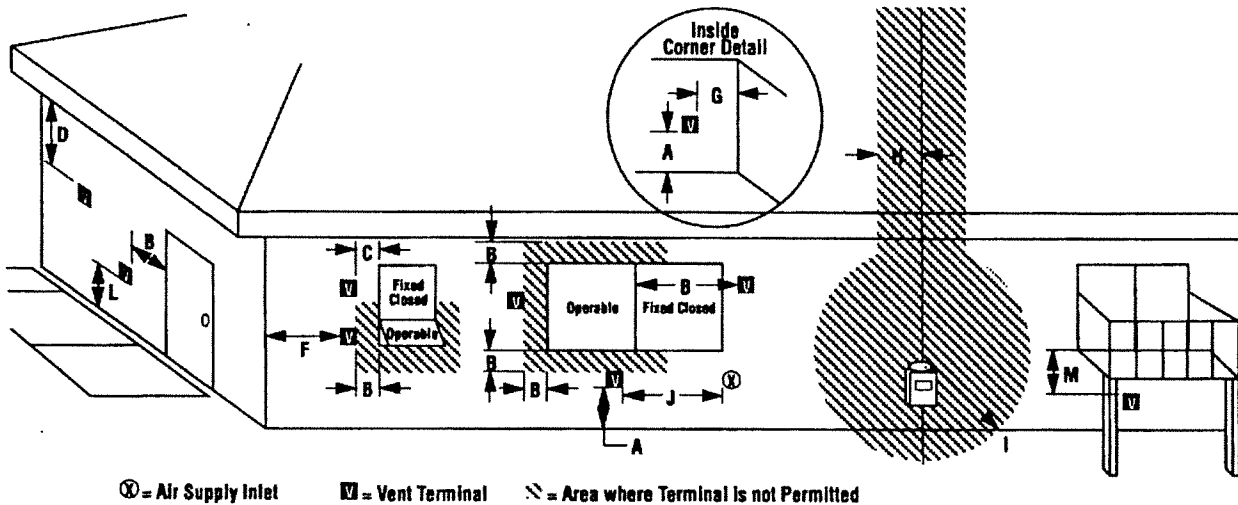


Figure 15. Vent Terminal Clearances - National Fuel Gas Code.

A = Clearance above grade, veranda, porch, deck, or balcony :
***12 inches (30 cm) minimum.**

B = Clearance to window or door that may be opened: **9 inches (23 cm) min./U.S. *12 inches (30 cm) min./ CAN**
 We recommend 12 inches minimum to help prevent condensation on the window.

C = Clearance to permanently closed window: **9 inches (23 cm) min./U.S. *12 inches (30 cm) min./ CAN**
 We recommend 12 inches minimum to help prevent condensation on the window.

D = Vertical clearance to ventilated soffit located above the terminal within a horizontal distance of 2 feet (60 cm) from the centerline of the terminal: **18 inches (46 cm) minimum.**

E = Clearance to unventilated soffit: **12 inches (46 cm) minimum.**

F = Clearance to outside corner: **9 inches (23 cm) min.** Jøtul N.A. strongly recommends 12 inches (30 cm), particularly where windy conditions are prevalent.

G = Clearance to inside corner: **6 inches (16 cm) minimum.**
 Jøtul N.A. strongly recommends 12 inches (30 cm), particularly where windy conditions are prevalent.

H = *Not to be installed above a meter/regulator assembly within **3 feet (90 cm)** horizontally from the centerline of the regulator.

I = Clearance to service regulator vent outlet: **U.S. - 3 feet CAN. 6 feet (1.8 m) minimum.**

J = Clearance to nonmechanical air supply inlet to building or the combustion air inlet to any other appliance: ***12 inches (30 cm) minimum.**

K = Clearance to a mechanical air supply inlet: ***6 feet (1.8 m) minimum.**

L = ** Clearance above paved sidewalk or a paved driveway located on public property: ***7 feet (2.1 m) min.**

M = Clearance under veranda, porch, deck, or balcony: ***12 inches (30 cm) minimum.¹**

* As specified in CGA B149 Installation Codes. Note: Local Codes and Regulations may require different clearances.

** A vent shall not terminate directly above a sidewalk or driveway which is located between two single family dwellings and serves both dwellings.*

¹ Only permitted if veranda, porch, deck, or balcony, is fully open on a minimum of two sides beneath the floor.*

Mobile Home Installation

The Nordic QT can be installed for use in a mobile home in the U.S. and Canada provided:

1. The stove is secured to the floor of the mobile home. Use Jøtul Floor Bracket Kit #154388.
2. Provision must be made to secure an electrical ground between the stove and the mobile home chassis.
3. The stove is installed in accordance with Title 24 CFR, Part 3280- Manufactured Home Construction and Safety Standard, in the U.S. In Canada, comply with CSA Z240.4, Gas Equipped Recreational Vehicles and Mobile Housing.
4. Always contact your local officials about installation restrictions and requirements in your area.

THIS APPLIANCE MAY BE INSTALLED AS AN OEM INSTALLATION IN A MANUFACTURED (MOBILE) HOME AND MUST BE INSTALLED IN ACCORDANCE WITH THE MANUFACTURER'S INSTRUCTIONS AND THE MANUFACTURED HOME CONSTRUCTION AND SAFETY STANDARD, TITLE 24 CFR, PART 3280. THIS APPLIANCE IS ONLY FOR USE WITH THE TYPE OF GAS THAT IS INDICATED ON THE STOVE'S RATING PLATE. A GAS CONVERSION KIT IS PROVIDED WITH THE NORDIC QT DIRECT VENT GAS STOVE.

THIS APPLIANCE MAY BE INSTALLED IN AN AFTERMARKET PERMANENTLY LOCATED, MANUFACTURED (MOBILE) HOME, WHERE NOT PROHIBITED BY LOCAL CODES.

CET APPAREIL PEUT ETRE INSTALLE DANS UN MAISON PREFABRIQUEE (MOBILE) DEJA INSTALLEE A DEMEURE SI LES REGLEMENTS LOCAUX LE PERMETTENT. CET APPAREIL DOIT ETRE UTILISE UNIQUEMENT AVEC LES TYPES DE GAS INDIQUES SUR LA PLAQUE SIGNALETIQUE. NE PAS L'UTILISER AVEC D'AUTRES GAS SAUF SI UN KIT DE CONVERSION CERTIFIE EST INSTALLE.

Fuel Conversion

The Nordic QT gas stove is shipped from the factory equipped to burn NATURAL GAS only. If PROPANE gas is to be used as fuel, the appliance must first be converted for use with propane. Use Propane Conversion Kit 154379, supplied with the appliance.

Order and install NG Conversion Kit 154386 to change back to use with natural gas.

WARNING:

THE CONVERSION KIT IS TO BE INSTALLED BY AN AUTHORIZED JØTUL SERVICE TECHNICIAN IN ACCORDANCE WITH THE MANUFACTURER'S INSTRUCTION AND ALL CODES AND REQUIREMENTS OF THE AUTHORITY HAVING JURISDICTION. FAILURE TO FOLLOW THESE INSTRUCTIONS COULD RESULT IN SERIOUS INJURY OR PROPERTY DAMAGE. THE QUALIFIED AGENCY PERFORMING THIS WORK ASSUMES RESPONSIBILITY FOR THIS CONVERSION.

IN CANADA:

THE CONVERSION SHALL BE CARRIED OUT IN ACCORDANCE WITH THE REQUIREMENTS OF THE PROVINCIAL AUTHORITIES HAVING JURISDICTION AND IN ACCORDANCE WITH THE REQUIREMENTS OF THE CAN1-B149.1 AND .2 INSTALLATION CODE.

Tools required:

- 1/2" open ended wrench or deep-well socket, Torx T20 or slotted screwdriver, 4 mm allen wrench.

Conversion Kit Contents:

- 1, regulator tower labeled for propane
 - 3, regulator tower screws
 - 1, burner orifice (#49 for NG, 59 for LPG)
 - 1, pilot orifice (#51 for NG, #30 for LPG)
 - Label A - to be completed and applied to the back of the stove
 - Label B - apply to the stove's Rating Plate
 - Small valve label - apply to valve body
- Conversion instructions are also shipped in the stove with the conversion kit.

Gas Conversion Procedure

Refer to fig. 27, Illustrated Parts Breakdown, to identify part numbers below.

1. Turn off gas supply to stove.
2. Remove the stove Top Plate (3).
3. Remove the front plate from the stove. Pull the casting straight up and out away from the side panels. Pull the panel upward with one hand while the other pushes against the top of the firebox.
4. Release the Glass Clips (7) at the top of the firebox. Carefully lift the glass panel up and out.
5. Remove the Log Set (8) using care not to scratch or damage logs.
6. Lift out the Front Log Support/Screen (21) and Air Divider (46).
7. **LIFT OUT THE BURNER TUBE (10):** NOTE: There are no screws securing the Burner Tube to the floor of the firebox.
8. Change the Main Burner Orifice (33). Using a 1/2" open ended wrench or deep-well socket remove the burner orifice and replace with the appropriate orifice supplied in the kit.
#49 for NG
#59 for LPG
9. Adjust the Air Shutter on the Burner Tube (10) to allow for the proper mixing of air and gas. See fig. 16.
1/4" open for natural
3/4" open for propane
10. **CHANGE THE PILOT ORIFICE:** From within the firebox, remove the Pilot Head by pulling it straight up from the pilot base. See fig. 17.
 Using the 4 mm allen wrench that is included with the conversion kit, unscrew the pilot orifice (counterclockwise). Replace with the appropriate orifice:
#51 for natural gas
#30 for propane gas
11. Tighten orifice into the base of the pilot assembly. To prevent bypass leaks, be sure the orifice is secured tightly and flush with the base. Replace pilot head by pushing it down onto the pilot base. See fig. 17.
12. Replace the Variable Regulator. Using a Torx T-20 screwdriver, remove the three specialty screws from the front of the valve regulator. See fig. 18.
13. Remove the Regulator Tower, Gasket, white plastic disk, and Spring.
14. Install the new variable regulator tower being sure that the gasket is properly positioned and tighten screws securely.
15. Install the identification labels to the stove so that they can be seen by any person that may be servicing the stove.
 Label A: apply to back of stove.
 Label B: apply to stove's rating plate.
 Small valve Label: apply to valve.

16. Reassemble the stove, apply gas to the system and check for leaks using a soapy water solution.

NEVER USE AN OPEN FLAME TO CHECK FOR GAS LEAKS.

Correct gas pressure is essential for efficient and safe operation of this appliance. Correct gas pressure must be established at the time of installation. For more details, see the Gas Pressure section of this manual (page 17).

ALWAYS REFER TO THE LIGHTING INSTRUCTIONS ON THE INSIDE BACK COVER OF THIS MANUAL WHEN LIGHTING YOUR NORDIC QT.

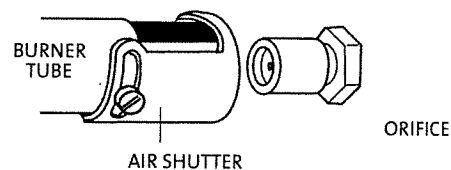


Figure 16.

The Air Shutter should never be less than 1/8" open.

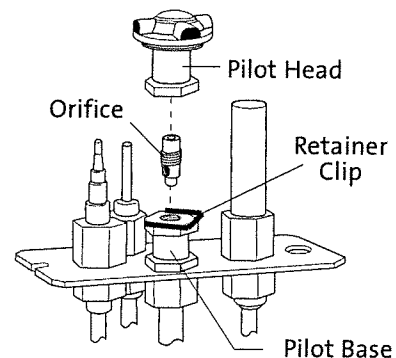


Figure 17. Pilot orifice removal and replacement.

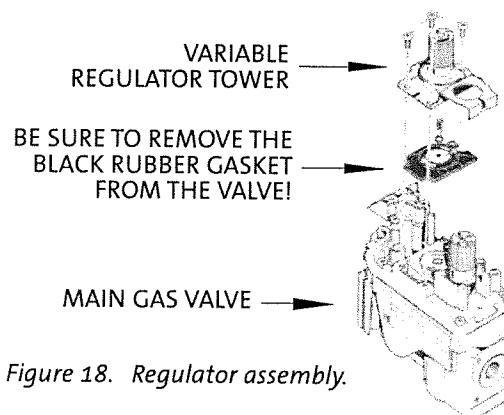


Figure 18. Regulator assembly.