

## Jøtul GF 200 DV II MV Lillehammer Direct Vent Gas Stove

*Pilot-on Demand Ignition*

# Installation and Operation Instructions

Conforms to ANSI Z21.88-2016 • CSA 2.33-2016,  
and CAN/CGA 2.17-M17.

**INSTALLER:** Leave this manual with the appliance.

**CONSUMER:** Keep this manual for future reference.

**WARNING:** If the information in these instructions is not followed exactly, a fire or explosion may result causing property damage, personal injury or loss of life.

- Do not store or use gasoline or other flammable vapors and liquids in the vicinity of this or any other appliance.
- **WHAT TO DO IF YOU SMELL GAS**
  - Do not try to light any appliance.
  - Do not touch any electrical switch; do not use any phone in your building.
  - Immediately call your gas supplier from a neighbor's phone. Follow the gas supplier's instructions.
  - If you cannot reach your gas supplier, call the fire department.
- Installation and service must be performed by a qualified installer, service agency or the gas supplier.
- In the Commonwealth of Massachusetts, a carbon monoxide (CO) detector shall be installed in the same room as the appliance.

This appliance may be installed in an aftermarket, permanently located, manufactured home or mobile home, where not prohibited by local codes.

This appliance is only for use with the types of gas indicated on the rating plate. A conversion kit is supplied with the appliance.

**⚠ DANGER**



**HOT GLASS WILL  
CAUSE BURNS.  
DO NOT TOUCH GLASS  
UNTIL COOLED.  
NEVER ALLOW CHILDREN  
TO TOUCH GLASS.**

A barrier designed to reduce the burn hazard from the glass viewing area is provided with this appliance and shall be installed for the protection of children and other at-risk individuals.

**THIS OWNER'S MANUAL PROVIDES INFORMATION TO ENSURE SAFE INSTALLATION AND EFFICIENT, DEPENDABLE OPERATION OF YOUR FIREPLACE INSERT. PLEASE READ THESE INSTRUCTIONS IN THEIR ENTIRETY AND MAKE THEM AVAILABLE TO ANYONE USING OR SERVICING THIS GAS APPLIANCE.**

**DO NOT ATTEMPT TO ALTER OR MODIFY THE CONSTRUCTION OF THIS APPLIANCE OR ITS COMPONENTS. ANY MODIFICATION OR ALTERATION WILL VOID THE WARRANTY, CERTIFICATION AND LISTING OF THIS APPLIANCE.**

**THIS HEATER MUST BE INSTALLED AND MAINTAINED BY A QUALIFIED SERVICE AGENCY.**

# Table of Contents

Service Tools .....	4
Specifications .....	5
General Information .....	6
Safety Information .....	7
Installation Requirements	
Location .....	7
Hearth Protection .....	7
Clearances .....	8
Mantel & Trim .....	8
Alcove .....	8
Vent Requirements	
Adding Restriction.....	9
Vertical Termination .....	10
Horizontal Termination.....	12
Vent Terminal Clearances .....	14
Mobile Home Installation .....	15
Fuel Conversion.....	15
Gas Connection.....	17
Gas Pressure .....	18
High Altitude Adjustment .....	18
Air Shutter Adjustment .....	19
Wall Thermostat.....	20
Remote Control.....	20
Log Set Installation .....	20
System Check .....	21
Operation .....	22
Maintenance .....	22
Glass Replacement.....	22
Optional Blower .....	24
Illustrated Parts Breakdown .....	26
Appendix - Brick Panel Kit.....	29
Warranty Statement .....	30
Lighting Instructions .....	31

## Jøtul GF 200 DV II MV Lillehammer Direct Vent Gas Heater

Manufactured and Distributed by:  
Jøtul North America  
Gorham, Maine  
U.S.A.

### Test Standards

This appliance complies with U.S. and Canadian National Safety standards and is tested and listed by Intertek Testing Services of Middleton, Wisconsin to ANSI Z21.88-2016, CSA 2.33-2016, and CAN/CSA 2.17-M09

DO NOT ATTEMPT TO ALTER OR MODIFY THE CONSTRUCTION OF THE APPLIANCE OR ITS COMPONENTS. ANY MODIFICATION OR ALTERATION WILL VOID THE WARRANTY, CERTIFICATION AND LISTING OF THIS APPLIANCE.

Your stove has a unique serial number stamped on the rating plate which is to the back of the stove. Please record the serial number in the space below. You may also wish to attach your purchase receipt to this manual for future reference.

MODEL NAME: \_\_\_\_\_

SERIAL NUMBER: \_\_\_\_\_

DATE OF PURCHASE: \_\_\_\_\_

AUTHORIZED DEALER: \_\_\_\_\_

ADDRESS \_\_\_\_\_

PHONE: \_\_\_\_\_

INSTALLER: \_\_\_\_\_

FUEL TYPE: \_\_\_\_\_

FUEL CONVERSION:      No \_\_\_\_\_ Yes \_\_\_\_\_

NATIONAL  
FIREPLACE  
INSTITUTE



CERTIFIED  
www.nficertified.org

We recommend that our gas products be installed and serviced by professionals who are certified in the U.S. by the National Fireplace Institute® (NFI) as NFI Gas Specialists.

### Suggested Tools for Installation and Service

- External regulator (for Propane only)
- Piping which complies with local code
- Manual shut-off valve - T-Handle required in Massachusetts
- Sediment trap - if required by code
- Tee joint
- Pipe wrench
- Pipe sealant
- 10 mm open end wrench
- 1/2", 7/16" open end wrench
- Phillips head screwdriver
- Flat head screwdriver
- 1/4" nut driver
- Work Gloves
- Safety glasses
- Torx T-20 screwdriver
- Tin snips

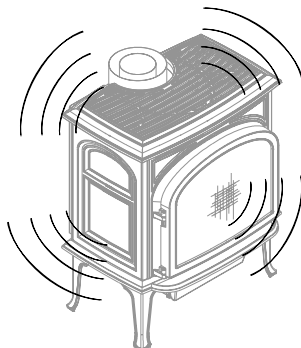
### PLEASE NOTE:

#### Initial Break-in

It is normal for smoke and odor to occur during the initial stages of operation, depending upon temperatures generated over time. This "curing" condition can be alleviated by promoting fresh air circulation within the immediate vicinity of the appliance.

#### Operation Sound

Please be aware that cast iron and steel components expand and contract with temperature fluctuations that are often accompanied by "creaking" or "pinging" sounds. This is the result of natural thermal activity.



The optional blower fan will also generate a slight hum at the low setting and progressively increase with the velocity of forced air.

### Installation Requirements for the Commonwealth of Massachusetts

THIS PRODUCT MUST BE INSTALLED BY A LICENSED MASTER OR JOURNEYMAN PLUMBER OR GAS-FITTER WHEN INSTALLED IN THE COMMONWEALTH OF MASSACHUSETTS.

1. If there is not one already present, on each floor level where there are bedroom(s), a carbon monoxide detector and alarm shall be placed in the living area outside the bedroom(s). The carbon monoxide detector shall comply with NFPA 720 (2005 Edition).
2. A carbon monoxide detector shall:
  - a) Be located in the room that houses the appliance or equipment;
  - b) Be either hard-wired or battery powered or both; and
  - c) Shall comply with NFPA 720 (2002 Edition).
3. A Product-approved vent terminal must be used, and if applicable, a Product-approved air intake must be used. Installation shall be in strict compliance with the manufacturer's instructions. A copy of the installation instructions must remain with the appliance or equipment at the completion of the installation.

### Electrical Hazards

- Be aware of electrical wiring locations when cutting holes in walls and ceilings for termination.
- The blower must be electrically grounded in accordance with local codes or, in the absence of local codes, with the current ANSI/NFPA 70, National Electrical Code or CSA C22.1-Canadian Electrical Code.
- The Blower is supplied with a three-prong (grounding) plug for protection against shock hazard and should be plugged directly into a properly grounded three-prong receptacle.  
**DO NOT CUT OR REMOVE THE GROUNDING PRONG FROM THE PLUG.**
- Always disconnect the power supply when performing routine service on the fireplace.

# Jøtul GF 200 DV II MV Lillehammer Specifications

## Input Rates

### Natural Gas

20,000 BTU/hr. maximum input  
11,400 BTU/hr. minimum input

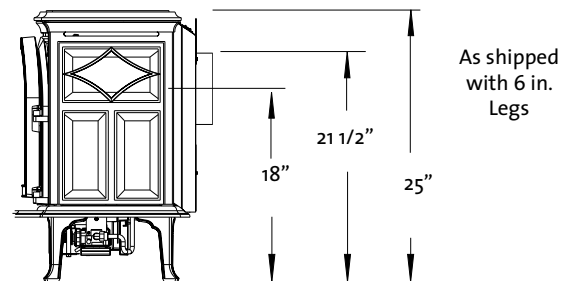
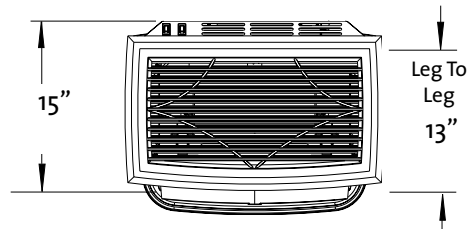
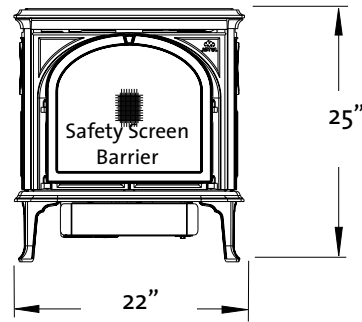
### Propane

18,000 BTU/hr. maximum input  
8,450 BTU/hr. minimum input


Inlet Pressure:	MIN	MAX
Natural Gas:	5.0 WC (1.24 kPa)	7.0 WC (1.74 kPa)
Propane:	12.0 WC (2.98 kPa)	14.6 WC (3.63 kPa)

Manifold Pressure:	MIN	MAX
Natural Gas:	1.2 WC (0.29 kPa)	3.8 WC (0.94 kPa)
Propane:	2.9 WC (0.72 kPa)	11.0 WC (2.74 kPa)

Piezo Ignitor / Standing Pilot  
Weight: 180 lbs.



Height Dimensions with Optional Legs:  
Long Legs - add 2 1/4 in.



**CANADIAN ENERGY  
PERFORMANCE VERIFIED  
RENDEMENT ÉNERGÉTIQUE  
VÉRIFIÉ**

**Intertek**  
EP5010378

**Certified to / Certifié:**  
CAN/CSA P4.1-15  
Natural / Gaz Naturel - 73.63%  
Propane / Gaz Propane - 72.14%

The Jøtul GF 200 DV II MV Lillehammer gas stove is designed to burn NATURAL GAS or PROPANE only. **It is shipped from the factory equipped to burn Natural Gas. If use with Propane is desired, the stove must first be converted for use with that gas.** Use the LP Fuel Conversion Kit 155626 included with this stove. See page 15 for instructions.

## Jøtul GF 200 DVII MV Miscellaneous Kit Contents

- Fuel Conversion Kit - LP ..... 155626
- Rear Air Intake Restrictor Plate, ..... 22111092
- Side Air Intake Restrictor Plates, (2) ..... 22099192
- \* Decorative Wall Shield, Black ..... 22092692

## Jøtul GF 200 DV II MV Accessories

- Fuel Conversion Kit - NG ..... 155627
- High Altitude Adjustment Kit - NG ..... 155808
- High Altitude Adjustment Kit - LP ..... 155809
- Blower Kit ..... 155631
- Antique Brick Kit ..... 155815
- Wall Thermostat ..... 750003
- Remote Control ..... 129706
- Universal Leg Leveler Kit ..... 156096
- Mobile Home Floor Bracket Kit .GF 200 DV MV (6" legs) / 154923  
..... for Long Legs (8") / 750304
- Long Leg Kits ..... Matte Black / 154929  
..... Blue Black / 154930  
..... Brown Majolica Enamel / 351149

## General Information

### **IMPORTANT: SAVE THESE INSTRUCTIONS.**

1. The installation and repair of this appliance must be done by a qualified service person. Failure to properly install and maintain this heater could result in an unsafe or hazardous installation, which may result in a fire, explosion, property damage, personal injury or loss of life.
2. This appliance should be inspected before use and at least annually. More frequent cleaning may be required due to excessive lint from carpeting, bedding material, etc. It is imperative that control compartments, burners and circulating air passageways of the appliance be kept clean.
3. This appliance may be installed in an aftermarket permanently located, manufactured (mobile) home, where not prohibited by local codes. This appliance is only for use with the type(s) of gas indicated on the rating plate. This appliance is not convertible for use with other gases, unless a certified kit is used.
4. The installation must conform to local codes. Your local Jøtul authorized dealer can assist you in determining what is required in your area for a safe and legal installation. Some areas require a permit to install a gas burning appliance. Always consult your local building inspector or authority having jurisdiction to determine what regulations apply in your area. In the absence of local codes, the installation requirements must comply with the current National codes. In the U.S., these requirements are established in the National Fuel Code, ANSI Z223.1.(NFPA 54). In Canada, the codes have been established in CAN/CGA B149 Fuel Installation Code.
5. Do not operate this fireplace if any part of it has been under water. Immediately call a qualified service technician to inspect the heater and to replace any part of the control system and any gas control which has been under water.
6. Do not operate the fireplace with the glass front removed, cracked or broken. Replacement of the glass should be done by a licensed or qualified service person. Only remove glass for routine service. Always handle glass carefully.
7. Notify your insurance company before proceeding with installation of this fireplace.

## Safety Information

- Due to the high operating temperatures this appliance should be located out of traffic and away from furniture and draperies. Maintain proper clearance to combustible mantels and fireplace trim.
- Children and adults should be alerted to the hazards of high surface temperatures and should stay away to avoid burns or clothing ignition.
- Young children should be supervised while they are in the same room as the appliance. Toddlers, young children and others may be susceptible to accidental contact burns. A physical barrier, such as a child guard, is recommended to be used if there are at-risk individuals in the house. To restrict access to a fireplace or stove, install an adjustable safety gate to keep toddlers, young children and other at-risk individuals out of the room and away from hot surfaces.
- A barrier designed to reduce the risk of burns from the hot viewing glass is provided with this appliance and shall be installed for the protection of children and other at-risk individuals.
- If the barrier becomes damaged, the barrier shall be replaced with the manufacturer's barrier for this appliance, part no. 157688.
- Any safety screen, guard, or barrier removed for servicing an appliance must be replaced prior to operating the appliance.
- Clothing or other flammable materials should not be placed on or near the fireplace.
- Never allow anyone to use the fireplace if they are unfamiliar with its operation.
- NEVER store or use gasoline or any other flammable vapors or liquids in the vicinity of this appliance.
- Never burn any solid materials (wood, cardboard, paper, coal, etc.) in this appliance. Use with natural gas or propane fuel ONLY.
- Do not slam or strike the glass panel.
- This appliance is NOT for use with aftermarket glass doors.
- Wear gloves and safety glasses while installing or performing maintenance procedures on this appliance.

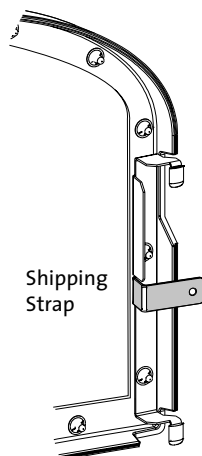
## Stove Setup

Inspect the stove for damage and contact your dealer immediately if any is found. Check contents of the Miscellaneous Kit against the lists on p. 4-5. Complete the installation steps in the following order:

1. Inspect the shipping crate for damage and immediately notify your dealer if any evidence of damage is apparent.

2. **SAFETY BARRIER SCREEN:**  
**This appliance is equipped with a Certified Barrier Screen that must be installed before operating the unit.** It is secured to the shipping pallet. Remove two screws and break the shipping strap off of the frame at the perforation as shown in grey.

Attach the barrier to the stove front by engaging its brackets over the stove door hinge bosses. The barrier may be installed with the stove doors either open or closed.



3. **Remove the Top Plate.** Simply lift it from the stove body.
4. **Open the Front Doors.**  
Cut the two cable ties that secure the doors closed.
5. **Remove the Glass Panel.**  
Open the two trunk latches at the top of the firebox to disengage the Glass Panel Frame. Lift the frame up and out of its channel. Set it aside, out of the way, on a soft surface.
6. **Install Optional Blower** if appropriate.
7. **Install Vent System / Air Restriction** as appropriate.
8. Install Fuel Conversion / High Altitude Adjustment if necessary.
9. **Plumb gas line** to the stove. Leak Test.
10. Install optional Brick Panels.
11. Install Log Set and Ember Stones.
12. **Replace Glass Panel. Test Burner** and adjust air shutter if necessary.
13. **Replace Front Panel and Top Plate.**
14. Install optional Remote Control or Thermostat.

## Location

In selecting a location for the stove, consider the following points:

- 1) Heat distribution
- 2) Vent termination requirements
- 3) Gas supply line routing
- 4) Traffic areas, furniture, draperies, etc.

The stove may be located on or near conventional construction materials, however, proper clearance to combustibles must be maintained in order to provide adequate air circulation around the appliance. Also, it is important to provide adequate access around the stove for servicing and proper operation.

The clearance and hearth specifications listed in this manual are the minimum requirements for combustible material. A combustible material is anything that can burn (i.e. sheet rock, wall paper, wood, fabrics etc.). These surfaces are not limited to those that are visible and also include materials that may be located behind non-combustibles.

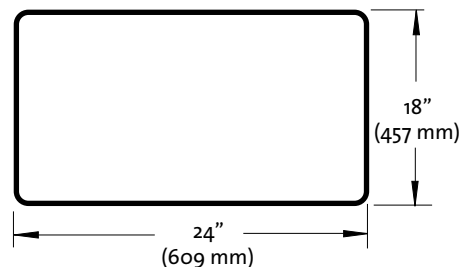
If you are not sure of the combustible nature of a material, consult your local fire officials. Remember, "Fire Resistant" materials are considered combustible: they are difficult to ignite, but will burn. Also, "fire-rated" sheet rock is considered combustible.

## Hearth Requirements

This stove should not be installed directly on carpeting, vinyl, linoleum, or Pergo®.

If the appliance will be installed on any combustible material OTHER THAN WOOD, a floor pad must be installed that is either metal, wood, tile, stone, or a listed hearth pad. This floor protection must extend the full width and depth of the appliance. It is not necessary to remove carpeting, vinyl or linoleum from underneath the floor protection. See fig. 1.

Figure 1. Suggested hearth dimensions shown are slightly larger than the minimum requirement.



# Stove and Vent Clearance Requirements

Installation of the safety screen barrier does not affect the clearances specified below.

**Minimum Clearances from the Stove to Combustibles:**  
Measured from the stove top plate. See figs. 2-4.

- Rear: 0" (0 mm)
- Ceiling: 67" (1702 mm) from floor
- Corner: 2" (50 mm)
- Sides: 3" (76 mm)

**Minimum Clearances between Vent Pipe and Combustible Materials:**

**Horizontal Run:**

- Off the top of the pipe 2" (51 mm)
- Off the sides and bottom 1" (25 mm)

**Vertical Run:**

- All sides 1" (25 mm)

## Alcove Installation

- Maximum Alcove Depth: 24" (610 mm)
- Minimum Alcove Width: 34" (864 mm)
- Minimum Ceiling Height from floor:
  - With standard legs - 42 1/4" (1073 mm)
  - With optional Long Leg Kit - 44 1/2" (1124 mm)

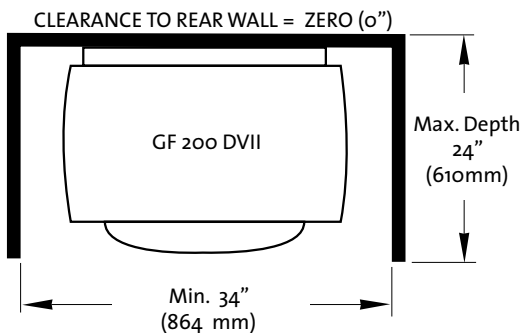


Figure 2. Alcove Installation Clearances.

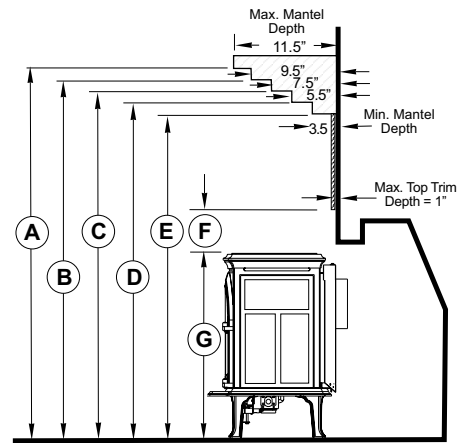


Figure 3. Mantel Clearances: stove flush with fireplace face. Add 2 1/4 inches to clearance dimensions if optional Long Leg Kit is installed.

	Jøtul GF 200 DV MV Lillehammer
A	52 1/2 in. (1333 mm)
B	51 in. (1295 mm)
C	49 1/2 in. (1257 mm)
D	48 in. (1219 mm)
E	46 1/2 in. (1181 mm)
F	4 1/4 in. (108 mm)
G	25 in. (635 mm) w/Long Legs: 27.25 in. (692 mm)

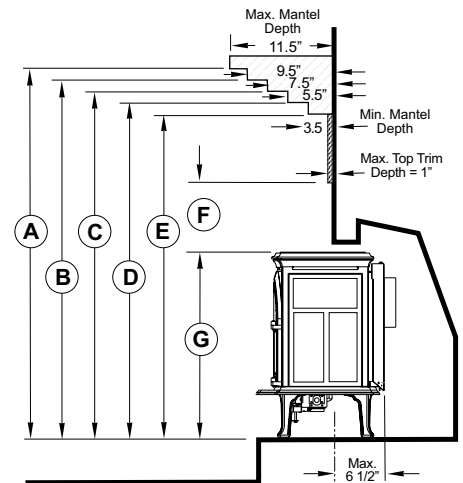


Figure 4. Mantel Clearances: stove set back into fireplace, 6 1/2" maximum. Add 2 1/4 inches to clearance dimensions if optional Long Leg Kit is installed.

	Jøtul GF 200 DV MV Lillehammer
A	51 1/2 in. (1308 mm)
B	50 in. (1270 mm)
C	48 1/2 in. (1232 mm)
D	47 in. (1194 mm)
E	45 1/2 in. (1156 mm)
F	17 3/4 in. (451 mm)
G	25 in. (629 mm) w/Long Legs: 27.25 in. (692 mm)



## Venting Requirements

Both stoves may be installed with a vertical or horizontal termination and must conform to the configuration requirements described in this section. This appliance is approved for use with vent systems from the following manufacturers:

- M&G DuraVent, Inc. (Direct Vent Pro Series)
- American Metal Products (Amerivent)
- Security Chimneys International, Ltd. (Secure Vent)
- Selkirk Metalbestos (Direct Temp)
- Metal-Fab, Inc. (Sure-Seal Direct Vent)
- Industrial Chimney Corp. (ExcelDirect Vent)
- Bernard Dalsin Mfg. (Pro Form)
- Olympia Chimney Supply, Inc. (Ventis)

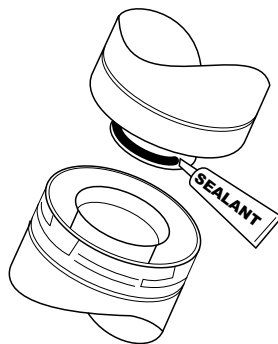
Use parts of one manufacturer only - DO NOT MIX VENT COMPONENTS FROM DIFFERENT MANUFACTURERS IN THE SAME SYSTEM.

Installation of any components not manufactured or approved by Jøtul or failure to meet all clearance requirements will void all warranties and could result in property damage, bodily injury, or serious fire.

The approved vent configurations described in this manual are derived from extensive testing under controlled laboratory conditions. Gas appliance performance can be negatively affected by variables present in the installation environment, i.e: atmospheric pressure, strong prevailing winds, adjacent structures and trees, snow accumulation, etc. These conditions should be taken into consideration by the installer and stove owner when planning the vent system design.

### IMPORTANT

- **JOINT SEALING REQUIREMENT:** APPLY A 1/8" BEAD OF HIGH-TEMPERATURE SEALANT (SUCH AS MIL-PAC®) TO THE MALE SECTION OF THE INNER VENT PIPE. THE CEMENT SHOULD FORM A SEAL BETWEEN THE INNER AND OUTER PIPES.
- NEVER MODIFY ANY VENTING COMPONENT, OR USE ANY DAMAGED VENTING PRODUCT.
- THE GAS APPLIANCE AND VENT SYSTEM MUST BE VENTED DIRECTLY TO THE OUTSIDE OF THE BUILDING AND NEVER ATTACHED TO A CHIMNEY SERVING A SOLID FUEL OR GAS BURNING APPLIANCE. EACH DIRECT VENT GAS APPLIANCE MUST HAVE ITS OWN SEPARATE VENT SYSTEM. COMMON VENT SYSTEMS ARE PROHIBITED.
- IF VENTING SYSTEM IS DISASSEMBLED FOR ANY REASON, REINSTALL PER THE INSTRUCTIONS PROVIDED FOR THE INITIAL INSTALLATION.



## Intake Air Restriction

You may need to restrict air intake to the burner, depending on the stove vent configuration. Two Side Restrictor Plates and one Rear Restrictor Plate are included in the Miscellaneous Kit for this purpose. Use the following guidelines to determine the proper restriction, if any, for your installation.

### Horizontal Termination

No air restriction should be necessary. Do not install the restrictor plates.

### Vertical Termination

#### 1. For Any Vertically Terminated Stove - Fig. 5.

Remove the Recirculator Plate from the back of the Burner Skirt. It is secured by a single sheet metal screw.

#### 2. Optional Restriction - Fig. 6.

##### A) Termination less than 8 ft. high:

Install Rear Restrictor Plate. Engage the plate with the two pins on the back of the Burner Skirt.

##### B) Termination 8 - 15 ft. high:

Install the Side Restrictor Plates, in addition to the Rear Restrictor Plate. The plates are interchangeable. Engage each plate with the pin on either side of the Burner Skirt.

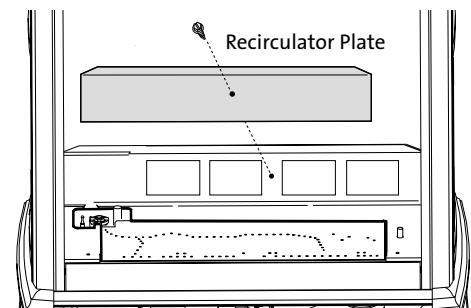


Figure 5. Remove Recirculator Plate.

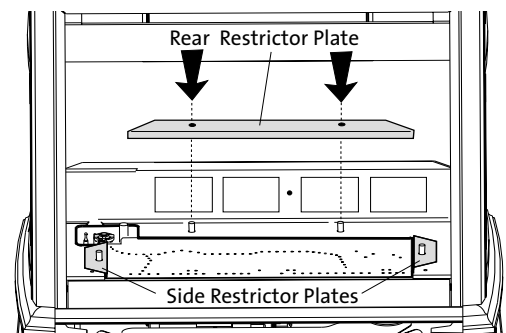


Figure 6. Installing the Air Intake Restrictor Plates.

## Vertical Vent Termination

The Jøtul GF 200 DV II MV is approved for vertical venting through a ceiling or to a roof termination following these guidelines:

- The termination should fall within the shaded area of the grid depicted in fig.7 below. Maximum Vertical must not exceed 15 ft. (4.57 m) measured from the top of the stove.
- In no case shall any discharge opening on the termination cap be less than 18" (457 mm) horizontally from the roof surface. See fig. 8.
- In addition the 90° elbow attached to the stove, a vertical vent run may utilize one 90° or two 45° elbows. Whenever possible use 45° elbows instead of a 90° elbow as they are less restrictive to exhaust gas and intake air flow.
- Steep roofs, nearby trees, and predominantly windy conditions can contribute to poor draft and/or promote down-draft occurrences. Increasing the height of the vent may alleviate these conditions.
- Use approved vent manufacturer's Wall Straps to support an offset pipe run at three feet intervals to avoid excessive stress on the offsets.
- A firestop is required at every floor. Firestops are available from all vent manufacturers. The opening should be framed to 10" X 10" inside dimension.
- Always maintain a minimum 1" clearance from all sides of the vertical vent system.
- Remove the Recirculator Plate from the back of the Burner Skirt as shown in fig. 5. Determine which Air Intake Restrictor plates should be used by following the guidelines on page 9.

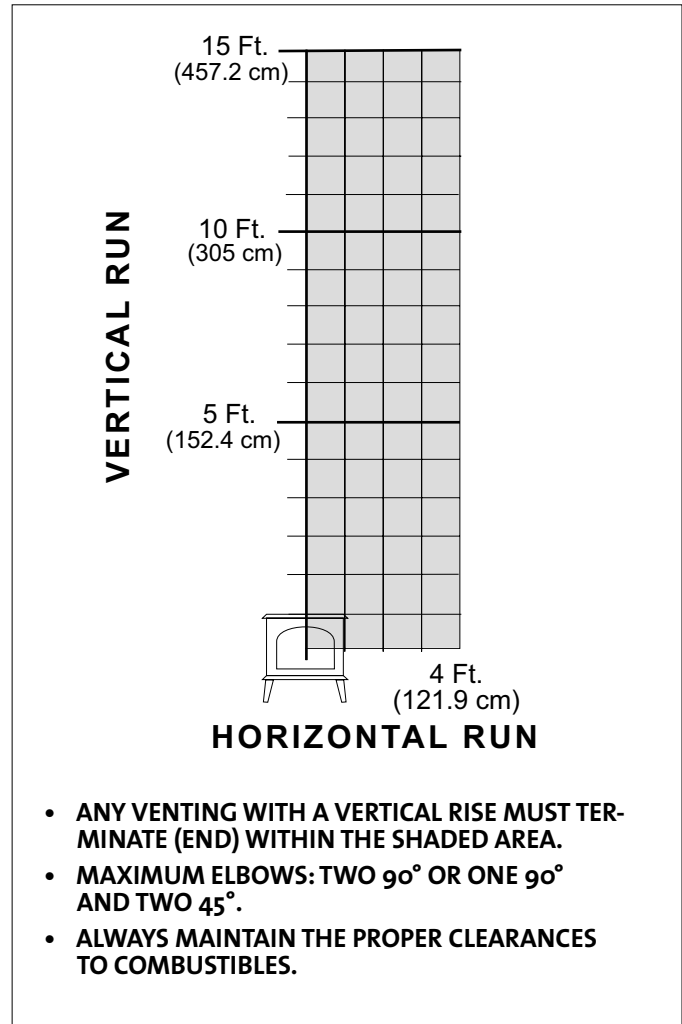


Figure 7. Vent Termination Diagram - any termination must fall within the shaded area dimensions.

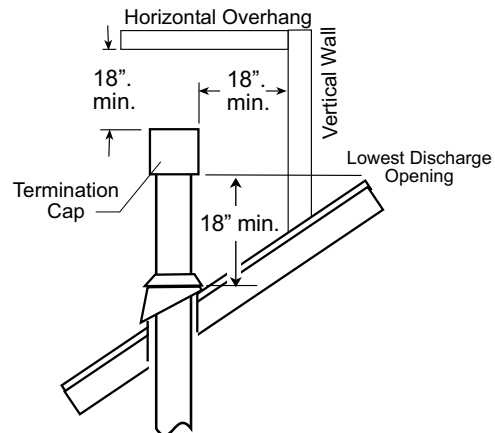


Figure 8. Minimum vertical termination height and roof clearance.

## Venting Through a Fireplace

### Co-linear Vent Installation

This appliance may be vented through a masonry or Class A prefabricated chimney using a Co-linear Flexible Vent system approved for use with a solid-fuel burning fireplace. When installed in the manner described below, this system can improve the performance of the appliance in cold climate situations, as well as simplify the vent installation. See fig. 9.

#### These installation requirements must be followed:

1. Prior to the installation the chimney flue must be thoroughly cleaned and inspected by a qualified chimney service person.
2. In a masonry chimney, a fireclay liner must be present the entire length of the chimney.
3. Prefabricated chimneys must be UL 103 or ULC S-629 listed and have a minimum INSIDE diameter of 6 inches, (150 mm).
4. No appliance can be installed into a chimney flue serving any other appliance of any kind.
5. **THE AIR INTAKE FLEX PIPE MUST EXTEND BEYOND THE DAMPER AREA OF THE FIREPLACE.** If the intake flex duct does not extend the full length of the chimney and connect to both the unit and the termination cap, A METAL BLOCK OFF PLATE MUST BE CONSTRUCTED AND INSTALLED ABOVE THE UNIT PRIOR TO THE END OF THE INTAKE FLEX AND MUST COMPLETELY SEAL THE CHIMNEY FLUE FROM THE ROOM.

Consult with the local code authority having jurisdiction before proceeding with this type of installation.

Refer to the vent manufacturer's instructions for specific installation requirements.

**WARNING: FAILURE TO POSITION THE PARTS AND STOVE IN ACCORDANCE WITH THESE DIAGRAMS OR FAILURE TO USE ONLY PARTS SPECIFICALLY APPROVED FOR USE WITH THIS APPLIANCE, MAY RESULT IN PROPERTY DAMAGE OR PERSONAL INJURY. BE SURE TO MAINTAIN THE PROPER CLEARANCES TO COMBUSTIBLES AS DEFINED IN THIS MANUAL AND IN THE INSTRUCTIONS PROVIDED WITH EACH VENT COMPONENT.**

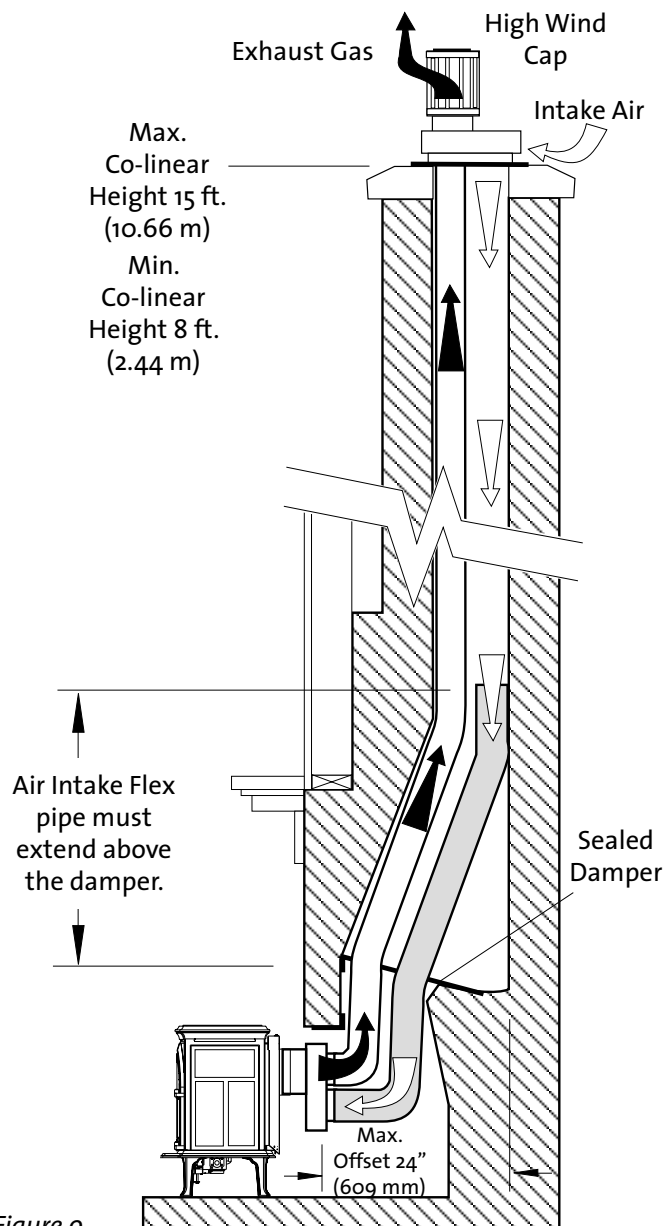


Figure 9. Co-linear Adaptor installed through a masonry chimney.

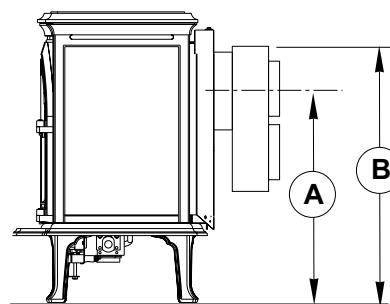


Figure 10. Simpson Dura-Vent #923GCL Co-linear Adaptor.  
GF 200 DV MV: A : 18" B : 22"  
Add 2 1/4" with Long Legs.  
Subtract 1" with Plinth

## Horizontal Vent Termination

- **Wall Cut-out Opening:** Cut-out dimensions will vary pipe. *Follow the specific vent manufacturer's instructions. Code standards require 2" clearance to combustible materials above the vent pipe and 1" clearance around the sides and bottom.* Use one of the approved vent manufacturers' WALL THIMBLE for the wall penetration.  
DO NOT FILL AIR SPACE WITH ANY TYPE OF INSULATION.
- The minimum horizontal run made directly off the rear of the stove into a standard horizontal cap shall be no less than a 6" (152 mm) vent section. See fig. 11.
- The maximum horizontal run made directly off the rear of the stove into a standard horizontal termination must not exceed 4 ft. (1219 mm) See fig. 11.
- **Corner Installation:** Max. Horizontal Run is 2 ft. (610 mm). See Fig. 12.
- A horizontal termination must fall within the shaded area illustrated in fig. 7, Vent Termination Diagram.
- The horizontal termination cap must maintain a 3" clearance to any overhead combustible projections 2 1/2" or less. It must also maintain 12" clearance from projections exceeding 2 1/2". See fig. 14.
- Any horizontal run of vent must be level or have a 1/4" rise for every foot of run toward the termination cap. NEVER ALLOW THE VENTING TO RUN DOWNWARD FROM STOVE TO TERMINATION; DOWNWARD VENT RUNS TRAP HEAT AND CAUSE HIGH TEMPERATURES TO DEVELOP WITHIN THE VENT THAT COULD START A FIRE.
- Install a Vinyl Siding Standoff between the vent termination and an exterior wall covered by vinyl siding material to prevent potential heat damage to the siding.
- Do not recess the termination cap into a wall or siding.

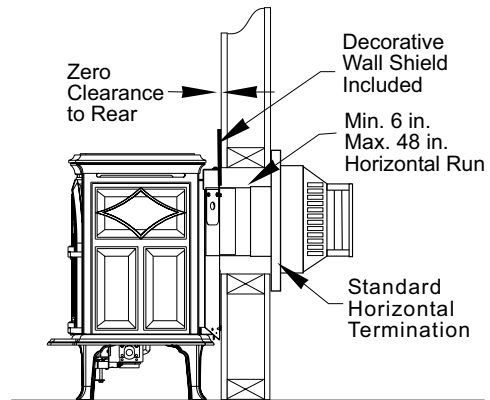


Figure 11. Min. / Max. Horizontal Run

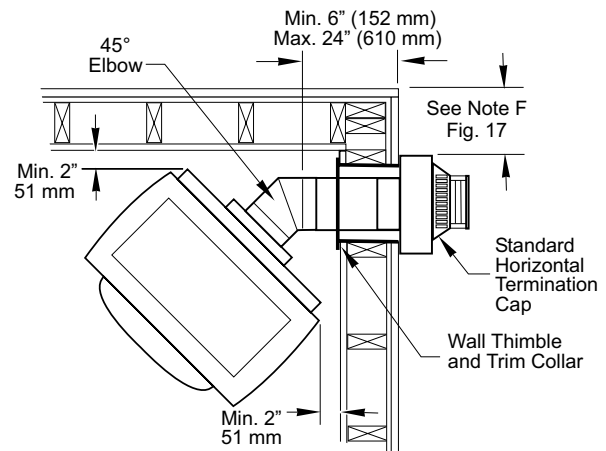


Figure 12. Corner Installation, Horizontal Termination directly off rear. Maximum Horizontal run is 2 ft. (610 mm).

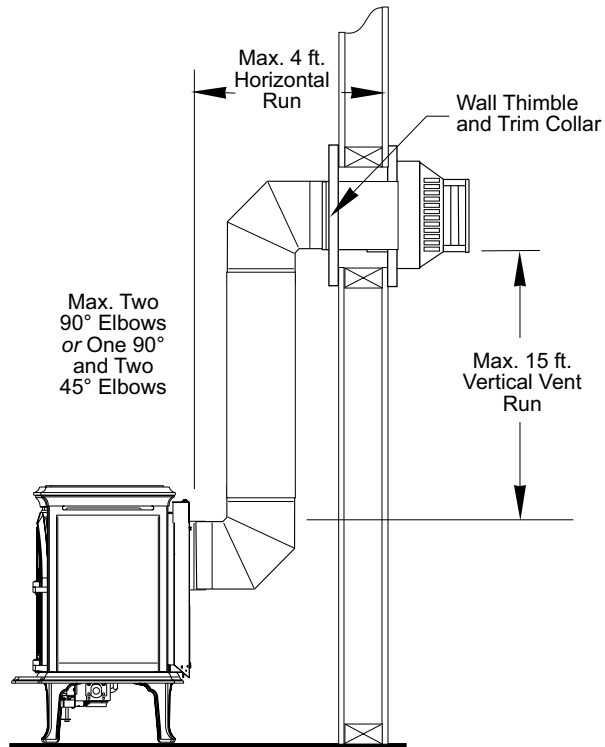


Figure 13. Horizontal Termination with Vertical Rise.

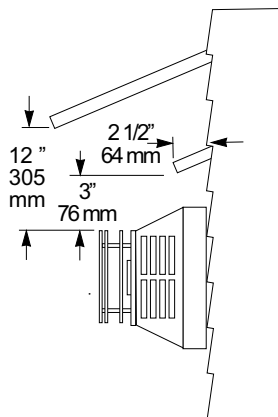


Figure 14. Termination Clearance to overhangs

## Wall Shield Installation

The decorative Wall Shield, included in the Miscellaneous Hardware bag, is used to obscure the vent hole in the wall in installations vented directly off the rear of the stove. Follow this procedure:

1. Remove the top two 1/4" hex head screws from the rear shroud of the stove.
2. Align the holes in the wall shield with the holes in the rear shroud.
3. Secure the wall shield to the stove with the two 1/4" hex head screws. See fig. 15 .

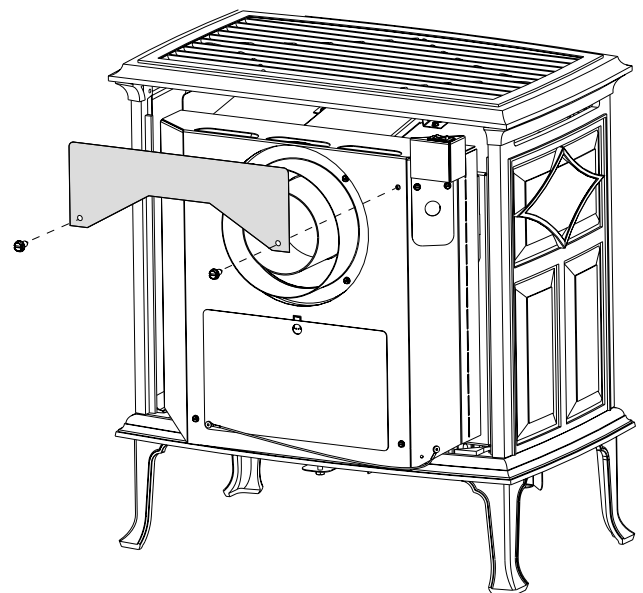


Figure 15.  
Wall Shield installation.

## Horizontal Termination Clearance

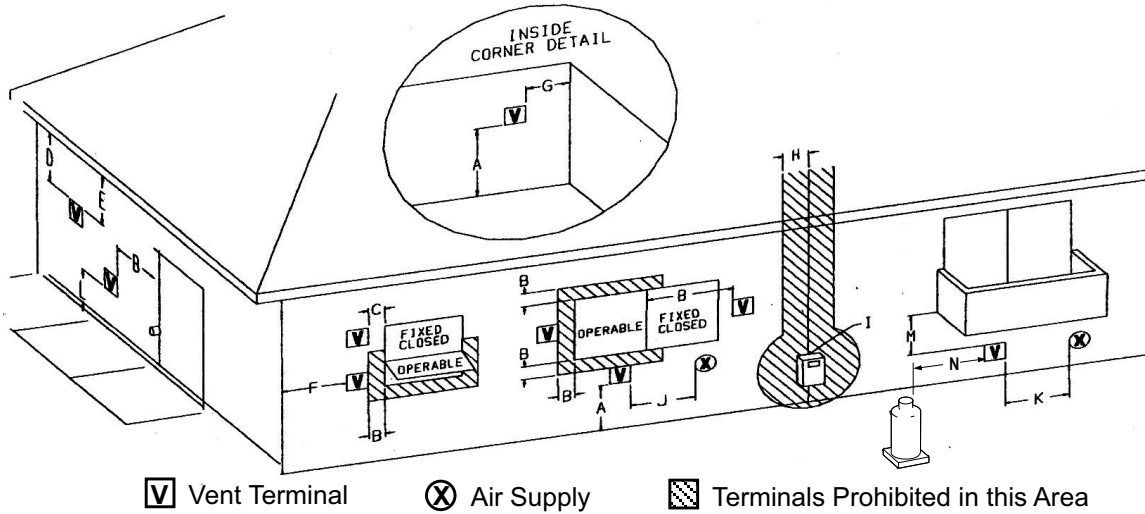


Figure 17. Vent Terminal Clearances - National Fuel Gas Code.

		Canadian Installations <sup>1</sup>	U.S. Installations <sup>2</sup>
A	Clearance above grade, veranda, porch, deck, or balcony	12 in. (30 cm)	12 in. (30 cm)
B	Clearance to window or door that may be opened	12 in. (30 cm)	9 in. (23 cm) We recommend 12 in. to prevent condensation on a window.
C	Clearance to permanently closed window	12 in. (30 cm)	9 in. (23 cm) We recommend 12 in. to prevent condensation on a window.
D	Vertical clearance to ventilated soffit located above the terminal within a horizontal distance of 2 ft (60 cm) from the center line of the terminal	18 in. (46 cm)	18 in. (46 cm)
E	Clearance to unventilated soffit	12 in. (46 cm)	12 in. (46 cm)
F	Clearance to outside corner	12 in. (46 cm)	9 in. (23 cm) We strongly recommend 12 in. particularly where strong winds prevail.
G	Clearance to inside corner	12 in. (46 cm)	9 in. (23 cm) We strongly recommend 12 in. particularly where strong winds prevail.
H	Clearance to each side of center line extended above a gas meter or regulator	3 ft. (91 cm) within a height 15 ft. above the meter/regulator assembly	*
I	Clearance to service regulator vent outlet	3 ft. (91 cm)	*
J	Clearance to nonmechanical air supply inlet to building or the combustion air inlet to any other appliance	12 in. (30 cm)	9 in. (23 cm)
K	Clearance to a mechanical air supply inlet	6 ft. (1.83 m)	3 ft. (91 cm) above if within 10 ft. (3 m) horizontally
L	Clearance above paved sidewalk or paved driveway located on public property	7 ft. (2.13 m) <sup>3</sup>	*
M	Clearance under veranda, porch, deck, or balcony	12 in. (30 cm) <sup>4</sup>	12 in. (30 cm) <sup>4</sup>
N	Clearance to propane tank relief valve and filler connection	5 ft. (1.52 m) <sup>5</sup> / 10 ft. (3.05 m) <sup>6</sup>	5 ft. (1.52 m) <sup>5</sup> / 10 ft. (3.05 m) <sup>6</sup>

1) In accordance with the current CSA B149.1, Natural Gas and Propane Installation Code.

2) In accordance with ANSI Z223.1/MNPA 54, National Fuel Gas Code

\* For clearances not specified in ANSI Z223.1/NFPA or CSA B149.1, the clearance will be in accordance with local installation codes and the requirements of the gas supplier.

3) A vent shall not terminate directly above a sidewalk or driveway which is located between two single family dwellings and serves both dwellings.

4) Permitted only if veranda, porch, deck, or balcony is fully open on a minimum of two sides beneath the floor.

5) Minimum clearance to tanks not filled on site.

6) Minimum clearance to tanks filled on site from bulk truck.

## Mobile Home Installation

These appliances can be installed for use in a mobile home in the U.S. and Canada provided:

1. The stove is secured to the floor of the mobile home. Use the Jøtul Floor Bracket Kit appropriate for your stove's leg; see the Accessories listing on p. 28.
2. Provision must be made to secure an electrical ground between the stove and the mobile home chassis.
3. The stove is installed in accordance with Title 24 CFR, Part 3280- Manufactured Home Construction and Safety Standard, in the U.S. In Canada, comply with CSA Z240.4, Gas Equipped Recreational Vehicles and Mobile Housing.
4. Always contact your local officials about installation restrictions and requirements in your area.

**THIS APPLIANCE MAY BE INSTALLED AS AN OEM INSTALLATION IN A MANUFACTURED (MOBILE) HOME AND MUST BE INSTALLED IN ACCORDANCE WITH THE MANUFACTURER'S INSTRUCTIONS AND THE MANUFACTURED HOME CONSTRUCTION AND SAFETY STANDARD, TITLE 24 CFR, PART 3280. THIS APPLIANCE IS ONLY FOR USE WITH THE TYPE OF GAS THAT IS INDICATED ON THE STOVE'S RATING PLATE. A GAS CONVERSION KIT IS PROVIDED WITH THE NORDIC QT DIRECT VENT GAS STOVE.**

**THIS APPLIANCE MAY BE INSTALLED IN AN AFTERMARKET PERMANENTLY LOCATED, MANUFACTURED (MOBILE) HOME, WHERE NOT PROHIBITED BY LOCAL CODES.**

## Fuel Conversion

This appliance is shipped from the factory equipped to burn NATURAL GAS only. If PROPANE gas is to be used as fuel, the appliance must first be converted for use with propane. Use Propane Conversion Kit 155626, supplied with the appliance.

Use Conversion Kit 155627 to convert back to Natural Gas.

### WARNING:

THE CONVERSION KIT IS TO BE INSTALLED BY AN AUTHORIZED SERVICE TECHNICIAN IN ACCORDANCE WITH THE MANUFACTURER'S INSTRUCTION AND ALL CODES AND REQUIREMENTS OF THE AUTHORITY HAVING JURISDICTION. FAILURE TO FOLLOW THESE INSTRUCTIONS COULD RESULT IN SERIOUS INJURY OR PROPERTY DAMAGE. THE QUALIFIED AGENCY PERFORMING THIS WORK ASSUMES RESPONSIBILITY FOR THIS CONVERSION.

### IN CANADA:

THE CONVERSION SHALL BE CARRIED OUT IN ACCORDANCE WITH THE REQUIREMENTS OF THE PROVINCIAL AUTHORITIES HAVING JURISDICTION AND IN ACCORDANCE WITH THE REQUIREMENTS OF THE CAN1-B149.1 AND .2 INSTALLATION CODE.

### Tools required:

- 1/2" open ended wrench or deep-well socket, Torx T20 or slotted screwdriver, 4 mm allen wrench.

### Conversion Kit Contents:

- 1, regulator tower labeled for propane
- 3, regulator tower screws
- 1, burner orifice **#46 for NG / 1.20 mm for LP**
- 1, pilot orifice **#51 for NG / #30 for LP**
- Label A - to be completed and applied to the back of the stove
- Label B - apply to the stove's Rating Plate
- Small valve label - apply to valve body

Conversion instructions are also shipped in the stove with the conversion kit.

## Fuel Conversion Procedure

1. Turn off gas supply to stove.
2. Remove the stove Top Plate (3).
3. Release the trunk latches at the top of the firebox. Carefully lift the glass frame up and out.
4. Remove the Log Set.
5. Remove the burner skirt. Using one hand, lift from under the rear lip and let the skirt rotate vertically. Then rotate counterclockwise to clear the firebox opening as shown in fig. 18.
6. Remove the wingnut, fender washer, and gasket from the air shutter stem. See fig. 39, items 17, 16, 15. These are located to the rear of the control valve, under the firebox.
7. Remove the burner assembly. Simply lift it off of the support brackets together with the air shutter.
8. Change the Main Burner Orifice. Fig. 19. Using a 1/2" (13 mm) wrench or deep-well socket, remove the burner orifice and replace with the appropriate orifice supplied in the kit.

#46 for NG      1.20 mm for LP

9. Change the Pilot Orifice: From within the firebox, remove the Pilot Head by pulling it straight up from the pilot base. See fig. 20.

Using the 4 mm allen wrench that is included with the conversion kit, unscrew the pilot orifice (counterclockwise). Replace with the appropriate orifice:

#51 for natural gas  
#30 for propane gas

10. Tighten orifice into the base of the pilot assembly. To prevent bypass leaks, be sure the orifice is secured tightly and flush with the base. Replace pilot head by pushing it down onto the pilot base. See fig. 20.
11. Remove the Regulator Tower, Gasket, white plastic disk, and Spring. Discard these parts.
12. Install the new regulator tower using the new Torx screws included in the kit. Be sure that the gasket is properly positioned and tighten screws securely.
13. Install the identification labels to the stove so that they can be seen by any person that may be servicing the stove.  
Label A: apply to back of stove.  
Label B: apply to stove's rating plate.  
Small valve Label: apply to valve.
14. Reassemble the stove. Replace the air shutter and burner assembly. The appropriate stove model designation must face to the right. NOTE: Correct burner position is critical to proper function. Be certain that the burner plate is securely engaged with the support brackets.
15. Replace the burner skirt.

16. Apply gas to the system and check for leaks using a leak test solution or electronic gas detector.

**NEVER USE AN OPEN FLAME TO CHECK FOR GAS LEAKS.**

Correct gas pressure is essential for efficient and safe operation of this appliance. Correct gas pressure must be established at the time of installation.

NOTE: Minimum LP Inlet pressure is 12.0 w.c.

For more details, see the Gas Pressure section of this manual (page 17).

**ALWAYS REFER TO THE LIGHTING INSTRUCTIONS ON THE INSIDE BACK COVER OF THIS MANUAL WHEN LIGHTING THE STOVE.**

17. Adjust the Air Shutter: Replace the gasket disk and fender washer on the shutter stem. See fig. 26. Pushing the shutter stem back will restrict air to the burner. Pulling the shutter forward will increase air. Set the stem at the half-way point in its adjustment travel. You will need to experiment to find the best setting for your particular installation. The shutter is set at the halfway position at the factory.

Be sure to tighten the wingnut on the Air Shutter stem snugly after any adjustment. This ensures that the burner remains locked in place.

Figure 18.  
Remove the Burner Skirt from the stove.

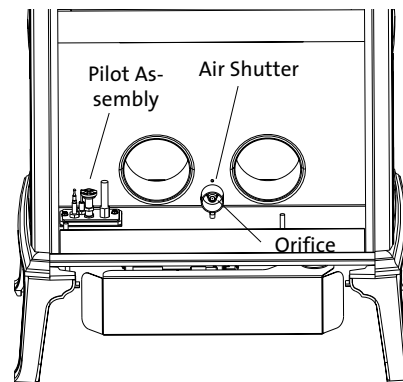
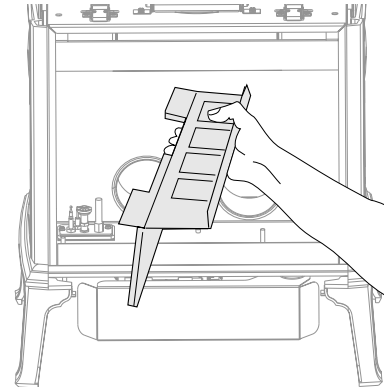


Figure 19. Burner orifice and pilot assembly locations.

Be sure to replace the air shutter oriented with the appropriate stove model ID is on the right.



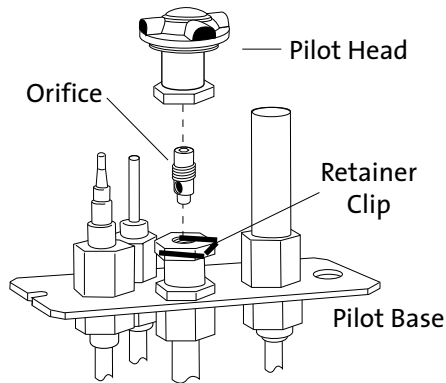


Figure 20.  
Pilot orifice removal and replacement.

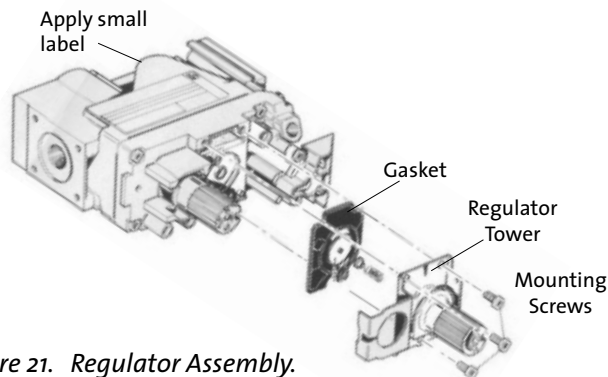


Figure 21. Regulator Assembly.

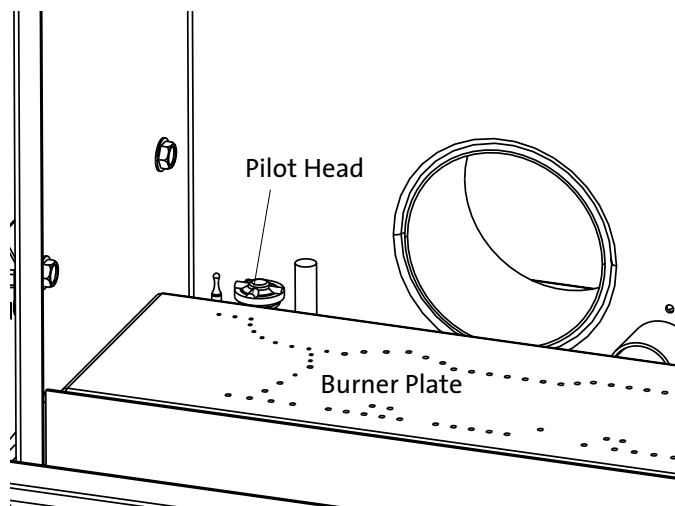


Figure 22.  
Check burner plate / pilot head alignment. Burner is secure, and level. The pilot head protrudes above the burner surface.

## Gas Supply Connection

NOTE: If the optional Blower will be installed, use a 90° Elbow off the valve to create adequate clearance for the main gas line.

The gas supply line connection is made to the valve just inside the left rear leg. The gas supply line should be 3/8" npt with a 1/2" diameter supply, or the appropriate size to provide sufficient gas pressure to the valve regardless of the input setting.

The use of a Flexible Gas Appliance Connector is acceptable in many areas in the U.S. However, Canadian methods vary depending on local code.

ALL INSTALLATIONS MUST COMPLY WITH LOCAL CODE OR IN THE ABSENCE OF LOCAL CODE, MUST COMPLY WITH THE MOST RECENT EDITION OF THE NATIONAL FUEL GAS CODE ANSI Z223.1/NFPA 54 OR CAN-B149.

All codes require a gas shut-off valve (gas cock) and union, to be installed in the supply line, and in the same room as the appliance. This allows for the disconnection of the stove for servicing and maintenance. See fig. 23.

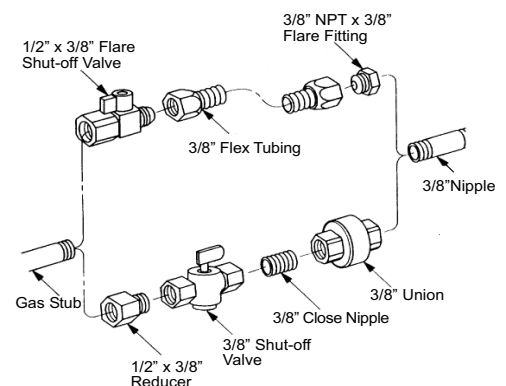
**A T-HANDLE GAS COCK IS REQUIRED IN MASSACHUSETTS TO COMPLY WITH CODE 248CMR.**

Secure all joints tightly using appropriate tools and sealing compounds. For propane units be sure to use compounds that are propane resistant. Turn on gas supply and test for gas leaks using a soapy water solution. Never use an open flame to check for leaks.

### Leak test:

1. Use an electronic gas detector, or mix a 50-50 solution of water and dish soap.
2. Light appliance- see lighting instructions on the inside back cover of this manual or on the stove's rating plate.
3. Brush or spray all joints and connections with the soapy water solution.
4. If bubbles appear at any connection or seam or a gas odor is detected, immediately turn gas control knob to the OFF position.
5. Tighten or reconnect the leaking joint and retest for any gas leaks.

Figure 23.  
Supply valve coupling.



## Gas Pressure

Correct gas pressure is essential for efficient and safe operation. It is important that the correct pressure is established at the time of the installation. Proper gas pressure provides a consistent flow of gas to the appliance and is instrumental in checking for gas leaks.

**Pressure Test:** Attach a manometer to the appropriate test point on the valve. See fig. 24. The gauge connections are located on the front of the valve under the On/Off/Pilot- knob. Gauge connections are identified by:

E - for Inlet or Supply Pressure (the amount of gas coming to the valve.)

A - for Manifold Pressure (the amount of gas that is coming out of the valve to the burner.)

ALWAYS TEST PRESSURES WITH VALVE CONTROL KNOB SET ON HIGH.

### NECESSARY INLET GAS PRESSURES (inches water column)

	MIN	MAX
NATURAL GAS	5.0	7.0
PROPANE	12.0	14.5

The appliance and its appliance main gas valve must be disconnected from the gas supply piping system during any pressure testing on that system at test pressures in excess of 1/2 psig (3.5 kPa).

The appliance must be isolated from the gas supply line by closing its individual manual gas shut-off valve (gas cock) during any pressure testing of the gas supply piping system that is equal to or less than 1/2 psig (3.5 kPa).

### MANIFOLD PRESSURES (inches water column)

	MIN	MAX
NATURAL GAS	1.2	3.8
PROPANE	2.9	11.0

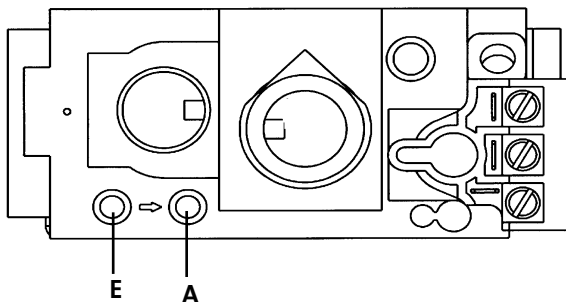


Figure 24. Pressure test points.

## High Altitude Adjustment

The decreased atmospheric pressure of higher altitudes affects heat value of gaseous fuels. Most gas suppliers derate the gas intended for use at elevations above 2000 feet. Check with your gas supplier before performing derate adjustment to the burner.

**The GF 200 DV MV Lillehammer may be adjusted for altitude over 2000 ft. (610 - 1371 m). Check with your gas supplier and, if necessary, install High Altitude Adjustment Kit 155808 for Natural Gas, or Kit 155809 for Propane.**

See the chart below for appropriate orifice sizes and part numbers.

### IN THE U.S:

**THE DERATING KIT MUST BE INSTALLED BY AN AUTHORIZED SERVICE TECHNICIAN IN ACCORDANCE WITH THE MANUFACTURER'S INSTRUCTIONS AND ALL CODES AND REQUIREMENTS OF THE AUTHORITY HAVING JURISDICTION. THE INFORMATION LABEL MUST BE FILLED OUT BY THE INSTALLER AND APPLIED TO THE APPLIANCE AT THE TIME OF THE CONVERSION. THE QUALIFIED SERVICE AGENCY PERFORMING THIS WORK ASSUMES RESPONSIBILITY FOR THIS DERATING.**

### IN CANADA,

**THIS UNIT HAS BEEN TESTED FOR INSTALLATION AT HIGH ALTITUDES IN ACCORDANCE WITH CANADIAN TEST STANDARD CAN/CGA-2.17.**

**THE DERATING SHALL BE CARRIED OUT IN ACCORDANCE WITH THE REQUIREMENTS OF THE PROVINCIAL AUTHORITIES HAVING JURISDICTION AND IN ACCORDANCE WITH THE REQUIREMENTS OF THE CAN1-B-149.1 AND .2 INSTALLATION CODE.**

For high altitude installations, consult your local gas distributor or the authority having jurisdiction for proper rating methods. If the appliance is converted for high altitude, the Conversion Label, supplied with the kit, must be filled out by the installer and applied to the appliance at the time of the conversion. See fig. 25.

High Altitude Orifice Chart Jøtul GF 200 DV II MV			
Elevation	Fuel	Orifice Size	Part No.
0 - 2000 ft. (0 - 610 m)	Natural Gas Propane	#46 1.20 mm	220975 221185
2001 - 4500 ft. (611 - 1370 m)	Natural Gas Propane	#47 #56	220976 129466

#### Derating Procedure:

- To derate this unit, install the appropriate orifice per the High Altitude chart.
- Remove the Burner Skirt and Burner Plate to expose the main burner orifice.
- Using a 1/2" open ended wrench or a deep-well socket remove the burner orifice.
- Replace with the appropriate orifice from the high altitude kit.
- Be sure to apply the high altitude conversion label provided to the rating plate on the appliance.

<p>THIS STOVE HAS BEEN CONVERTED FOR USE AT AN ALTITUDE OF: _____</p> <p>Orifice Size: _____ Manifold Press. _____</p> <p>Input Btu/Hr. _____ Fuel Type _____</p> <p>Date of Conversion _____</p>
---

Figure 25. This label must be filled out and applied to the appliance by the installer.

## Flame Appearance - Air Shutter Adjustment

**WARNING: AIR SHUTTER ADJUSTMENTS SHOULD ONLY BE PERFORMED BY A QUALIFIED PROFESSIONAL SERVICE TECHNICIAN.**

The air shutter setting at the burner orifice can be adjusted to achieve the desired flame appearance. The shutter is set in the mid-range at the factory, however, you will want to adjust it if a fuel conversion kit has been installed or if the flame pattern is not as desired. The adjustment stem is located under the firebox, directly behind the gas control valve. Generally, flame appearance is a matter of preference, however most people enjoy a warm yellowish flame.

**Too much air** - the appliance will generate a flame that is blue and transparent, or an "anemic" flame.

**Not enough air** - the burner will generate very long yellow flames resulting in soot. Sooting produces black deposits on the logs, on the inside walls of the appliance, and potentially on the exterior termination cap.

Sooting is caused by incomplete combustion in the flames and lack of combustion air entering the air shutter opening. Open the shutter setting to allow more air.

#### To adjust the air shutter:

- Locate and loosen the adjustment stem wing nut protruding from the bottom of the firebox, directly behind the gas valve. See fig. 26.
- Push the stem back to decrease air, or pull it forward to increase air. Make adjustments in small increments (1/8") and allow the burner to "settle in" for a few minutes before making another one. Small shutter adjustments can produce dramatic changes to flame characteristics.
- Re-tighten the wing nut when the desired flame appearance has been achieved.

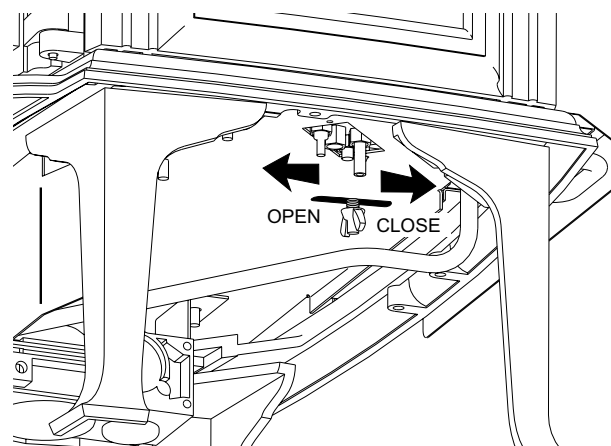


Figure 26. Air Shutter adjustment

## Optional Wall Thermostat or Remote Control

Use only a 750 millivolt DC two-wire circuit thermostat with this appliance. The thermostat should be placed in the same room as the heater, typically 5 feet off the floor. Avoid drafty areas or any area that may affect the accuracy of the thermostat.

**The thermostat should be connected using a minimum of 16 gauge wire with a maximum length of 35 feet of wire.**

Connect the two thermostat wire leads to the two lower terminals on the terminal block located directly to the right of the valve. Do not overtighten the connections. **IT IS NOT NECESSARY TO DISCONNECT ANY OTHER WIRES.** See Fig. 27.

For thermostatic operation, the On/Off/T-Stat switch on the back of the stove must be in the T-stat position, and the pilot light must be running, as it is the power source for the thermostat.

At the thermostat, the two wires should be connected to the two connection screws on the thermostat base plate per the manufacturer's instructions.

### Remote Control

When using a remote, the remote receiver should be wired to the terminal block the same way the thermostat would be. See the instructions above.

Follow the operating instructions included with the Remote Control unit.

### CAUTION:

**LABEL ALL WIRES PRIOR TO DISCONNECTION WHEN SERVICING THE CONTROLS. WIRING ERRORS CAN CAUSE IMPROPER OR DANGEROUS OPERATION. ALWAYS VERIFY PROPER OPERATION AFTER SERVICING THE APPLIANCE.**

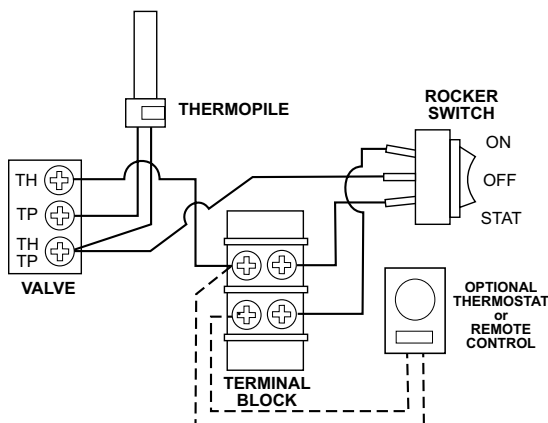


Figure 27. Accessory wiring diagram.

## Log Set Installation

**NOTE: Install the optional Brick Kit, if appropriate, before installing the Log Set. See page 30.**

The Log Set and Ember Stones are packaged in foam inside the firebox. Handle these parts with gloves to avoid skin irritation.

1. Assemble the Left and Right Rear Logs as shown in fig 28. First engage the halves together, and then engage the pins on the burner skirt with the adjacent holes in the underside of the logs.
2. Locate the Middle Log as shown in fig. 29.
3. Also included is a bag of ember stones that simulate glowing coals when the burner is operating. These should be spread thinly over the burner plate.

**NOTE: Keep the ember stones 1/4" away from the edge of the Burner Skirt and Pilot Assembly. See fig. 29. All the ember stones do not have to be used.**

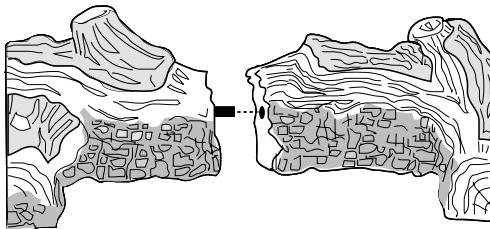


Figure 28. Install Rear Log.

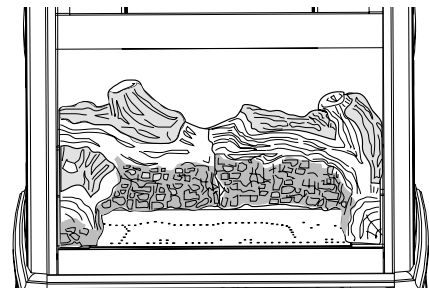


Figure 29. Middle Log and ember stones in place.

## System Check

1. **PURGING THE GAS LINE:** When lighting the appliance for the first time, it will take a few moments to clear the gas line of air. Once this purge is complete, the appliance will operate as described in the lighting instructions. See the inside back cover of this manual or the stove Rating Plate attached the bottom of the stove. Subsequent burner starts will not require purging the gas line unless the supply line is shut off.

2. **PILOT FLAME:** You can monitor the pilot flame through the opening at the upper left corner burner skirt, under the rear log. See fig. 29. The pilot flame should be steady - not lifting or floating. The flame should be blue in color around the pilot hood, with traces of yellow toward the outer edges.

The pilot flame should engulf the top 3/8" of the thermopile (to generate millivolt current) and the top 1/8" of the thermocouple. The pilot flame should project out of the pilot hood 1" at all three ports. See figs. 30.

3. **BURNER ADJUSTMENT:** This stove is equipped with a variable gas control valve that allows easy adjustment of the flame height appearance and heat output. To adjust the flame, rotate the HI/LOW knob, located in the center of the valve face.

**NO SMOKE OR SOOT SHOULD BE PRESENT. CHECK LOG PLACEMENT IF ANY SOOT OR SMOKE IS PRESENT. IF SOOT OR SMOKE PERSISTS, THE AIR SHUTTER MAY NEED TO BE ADJUSTED.**

See Air Shutter/Flame Appearance section of this manual for proper air shutter settings and adjustments. Note: the more offsets there are in the vent system, the greater the need for an air shutter adjustment. See page 30.

**WARNING:**  
AIR SHUTTER ADJUSTMENTS SHOULD ONLY BE PERFORMED BY A QUALIFIED PROFESSIONAL SERVICE TECHNICIAN.

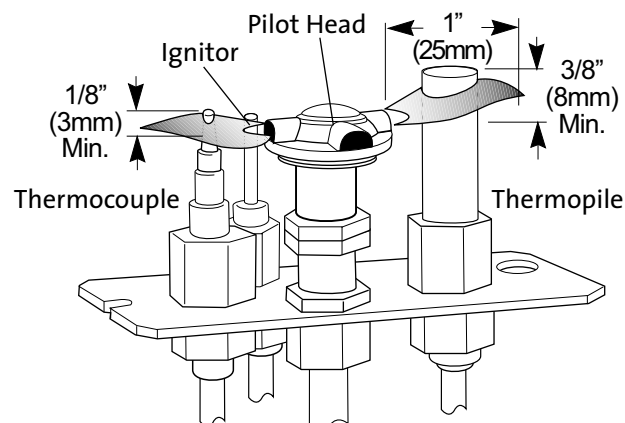


Figure 30. Correct pilot flame alignment.

### CAUTION:

**DO NOT ATTEMPT TO ALTER THE FLAME APPEARANCE BY POSITIONING THE GAS VALVE IN ANY OTHER POSITION OTHER THAN FULLY "ON".**



Figure 31. Flame appearance on the "high" setting after approximately 15 to 20 minutes burning.

## Operation

Familiarize yourself with the controls of your stove. Make sure that anyone else using the appliance is also familiar with the controls and operation procedures. Always follow the Lighting Instructions located on the inside back cover of this manual and also on the Rating Plate attached to the stove.

1. **The GF 200 DV MV appliance is equipped with a millivolt ignition system that will maintain pilot ignition for seven days before automatically shutting down.** Follow the lighting instructions on the back page to reignite the pilot and burner.
2. Once the pilot is lit, burner operation is controlled by the rocker switch located at the left rear corner of the stove. Use the T-STAT position for the optional thermostatic or remote control functions. See fig. 32.
3. During the first few fires, you may notice odor and/or smoke from the stove. This is normal and results from burn-off of manufacturing residue and curing of materials. You may find it helpful to provide additional ventilation and fresh air to alleviate this condition.
4. Condensation may occur on the glass upon each lighting of the appliance. This “fog” will disappear as the appliance heats up.
5. Keep the controls and the area under the appliance free of debris, vacuum this area frequently. Be sure the stove is cold before using a vacuum to perform maintenance. Always keep the appliance area clear and free from combustible materials, gasoline and other flammable liquids.
5. **NOTE: This appliance is equipped with a timed valve that will allow the pilot flame to remain lit for seven (7) days.** Exercise caution when using products having combustible vapors. Always shut-off gas supply while servicing the stove.

If the pilot is extinguished at the timed limit, follow the normal manual lighting instructions located on the inside back cover of this manual and on the back of the rating plate.

7. **CAUTION: DO NOT OPERATE THIS APPLIANCE WITH THE GLASS REMOVED CRACKED OR BROKEN.** Replacement of the glass should be done by a licensed or qualified service person. Use only replacement glass provided by your authorized Jøtul dealer. Never use any substitute materials.

**WARNING: OBSERVE CAUTION WITH THE GLASS. THE PANEL MAY SHATTER IF STRUCK WITH AN OBJECT. ALWAYS HANDLE THE GLASS PANEL WITH CARE. WHEN SERVICING THE STOVE ALWAYS PULL THE GLASS ASSEMBLY STRAIGHT UP FOR REMOVAL.**

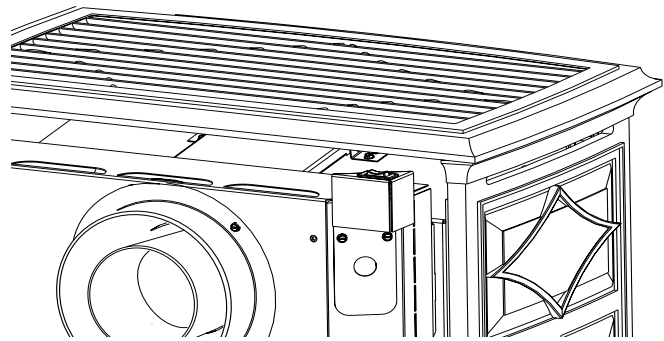


Figure 32. Burner Control Switch location.

## Maintenance

This appliance and its venting system should be inspected before use and at least annually by a qualified gas service technician. Your local Jøtul dealer can give you a reliable referrals.

**CAUTION: ALWAYS TURN OFF THE GAS SUPPLY TO THE STOVE BEFORE ANY SERVICE WORK IS PERFORMED ON THE STOVE.**

### Vent System

The vent components should be inspected annually to confirm it is clear of obstructions and all connections are secure. Any joints disconnected must be resealed using high temperature sealant when reassembled.

### Firebox Components

Periodically inspect the Firebox, Valve Compartment, Convection Airways and optional Blower to BE CERTAIN THAT THE FLOW OF COMBUSTION AND VENTILATION AIR IS UNOBSTRUCTED.

- The firebox should be vacuumed annually to remove any surface build up. Use a soft brush attachment and handle the logs carefully as they are fragile.
- **Inspect the pilot head, thermopile and thermocouple for signs of rust or deterioration and replace any components that do.** Check that the pilot head is properly engaged with the throat and is oriented correctly. See fig. 30, page 21.
- Inspect the burner and confirm that all the ports are unobstructed, particularly at the pilot area. Vacuum the burner plate if necessary.

**NOTE: INSPECT THE GLASS SURFACE FOR SCRATCHES AS THESE CAN WEAKEN THE PANEL TENSILE STRENGTH. REPLACE THE PANEL IF ANY SCRATCHES ARE FOUND. USE ONLY JOTUL PN 220576. DO NOT USE ANY OTHER TYPE OF GLASS.**

## Glass Cleaning

Clean the glass only when necessary. Use warm water and a soft cloth. Do not use abrasive cleaning agents or strong detergents on the glass. Be sure the glass is cool before cleaning.

**WARNING: DO NOT USE AMMONIA-BASED OR ABRASIVE CLEANERS ON THE GLASS. NEVER CLEAN HOT GLASS.**

**Gasket Inspection:** Inspect the glass gasket at least annually. Examine the ribbon gasket for signs of deterioration and make sure the gasket has a positive seal. Replace the gasket if it appears worn or damaged. Refer to the replacement parts list on page 27.

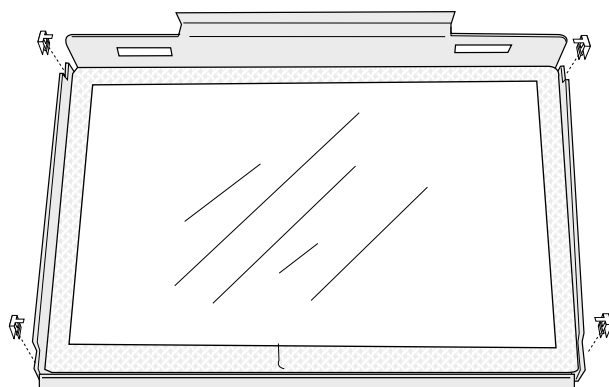


Figure 33. Removal and replacement of the glass panel.

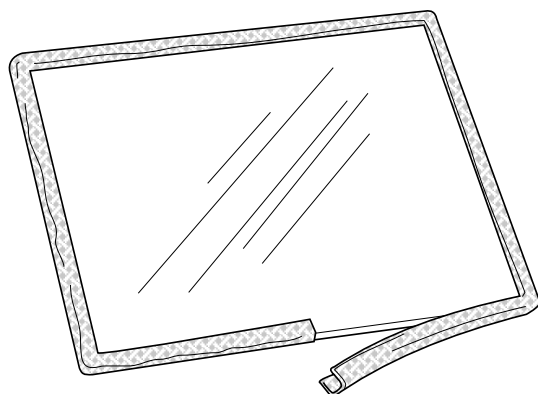


Figure 34. Wrap the gasket around the glass panel.

## Glass and Gasket Replacement

Only Use Replacement Kit 155599.

1. Use a small screwdriver to pry the four retainer clips off of the glass frame. See fig. 33.
2. Peel away all remnants of the old gasket material and clean any adhesive residue off the glass.
3. Peel the paper backing off the replacement gasket to expose the adhesive.
4. Apply the gasket to the panel, wrapping the adhesive side down around the panel edge. See fig. 34.
5. Insert the gasketed glass panel into the frame and press the retainer clips back into place as shown.

Always replace any damaged or broken parts with JØTUL AUTHORIZED PARTS ONLY. These are available through your Jøtul dealer. Never use any substitute parts on your stove.

With proper care and maintenance your appliance will provide you with many years of enjoyment. If you experience any problems or inconsistency with your stove, contact your authorized Jøtul dealer for assistance.

## Enamel Care and Maintenance

- Do not attempt to clean hot enamel surfaces. Clean only cold surfaces with a soft damp cloth and polish with a clean dry cloth.
- Do not use soapy or abrasive solutions. These can cause stains. Coffee, tea, and fruit juices will also stain enamel. Natural or organic cleaning agents, such as CitraSolv® can be effective on a variety of stains.
- Avoid contacting the enamel with other metal objects. Trivets, kettles, or pots can damage the enamel.
- Small chips may be repaired with Jøtul Enamel Touch-up paints available from your Jøtul dealer.

**KEEP THIS MANUAL FOR REFERENCE AND MAKE IT AVAILABLE TO ANYONE USING OR SERVICING THE STOVE.**

# Optional Blower # 155631

**CONNECT THE GAS SUPPLY TO THE STOVE BEFORE INSTALLING THIS BLOWER. USE A 90° ELBOW OFF THE GAS VALVE TO CREATE ADEQUATE GAS LINE CLEARANCE.**

- THIS BLOWER MUST BE ELECTRICALLY GROUNDED IN ACCORDANCE WITH LOCAL CODES OR, IN THE ABSENCE OF LOCAL CODES, WITH THE CURRENT ANSI/NFPA 70, NATIONAL ELECTRICAL CODE OR CSA C22.1-CANADIAN ELECTRICAL CODE.
- THIS UNIT IS SUPPLIED WITH A THREE-PRONG (GROUNDING) PLUG FOR PROTECTION AGAINST SHOCK HAZARD AND SHOULD BE PLUGGED DIRECTLY INTO A PROPERLY GROUNDED THREE-PRONG RECEPTACLE. DO NOT CUT OR REMOVE THE GROUNDING PRONG FROM THE PLUG.
- ALWAYS DISCONNECT THE POWER SUPPLY WHEN PERFORMING ANY SERVICE ON THE FIREPLACE INSERT.

**Contents**

1. Blower
2. Snapstat Wire Harness
3. Control Box
4. Snapstat Bracket
5. Rheostat Knob
6. Snapstat
7. Mounting Bracket (GF100 DV II MV ONLY)
8. M6 Flange Nuts, (2)
9. M6 x 12 Hex Bolts, (2)
10. #8 x 1/2" Sheet metal screw, (4)

**Tools Required**

- 1/4" socket driver
- 10 mm socket driver or wrench

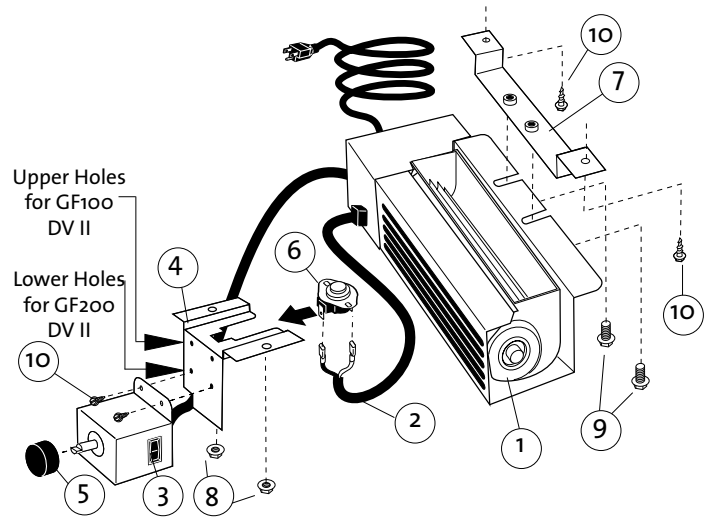


Figure 35. Blower Kit Components

## Installation

1. **Unpack and check the contents** of the blower kit. Contact your dealer if any damage is evident or parts are missing. See fig. 35.
2. **Attach the Control Box to the Snapstat Bracket** using two #8 x 1/2" sheet metal screws. As shown in fig. 35, use the pair of mounting holes appropriate for your stove.
3. **Attach the Control Box to the studs** located underneath the stove in the middle of the fire-box floor using the two M6 hex nuts and a 10 mm socket driver or wrench. See fig. 36.

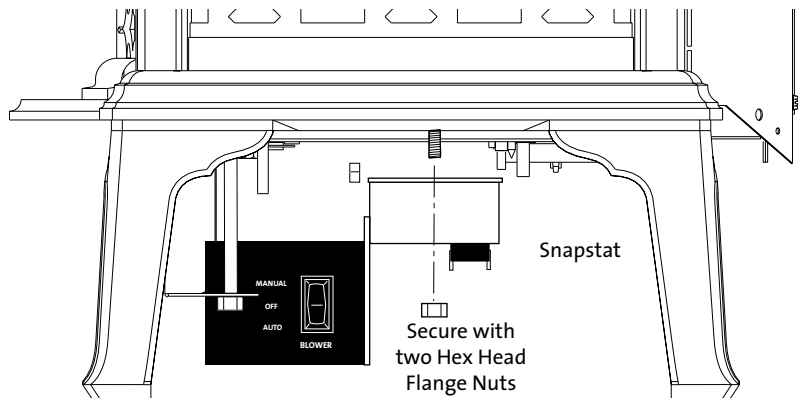
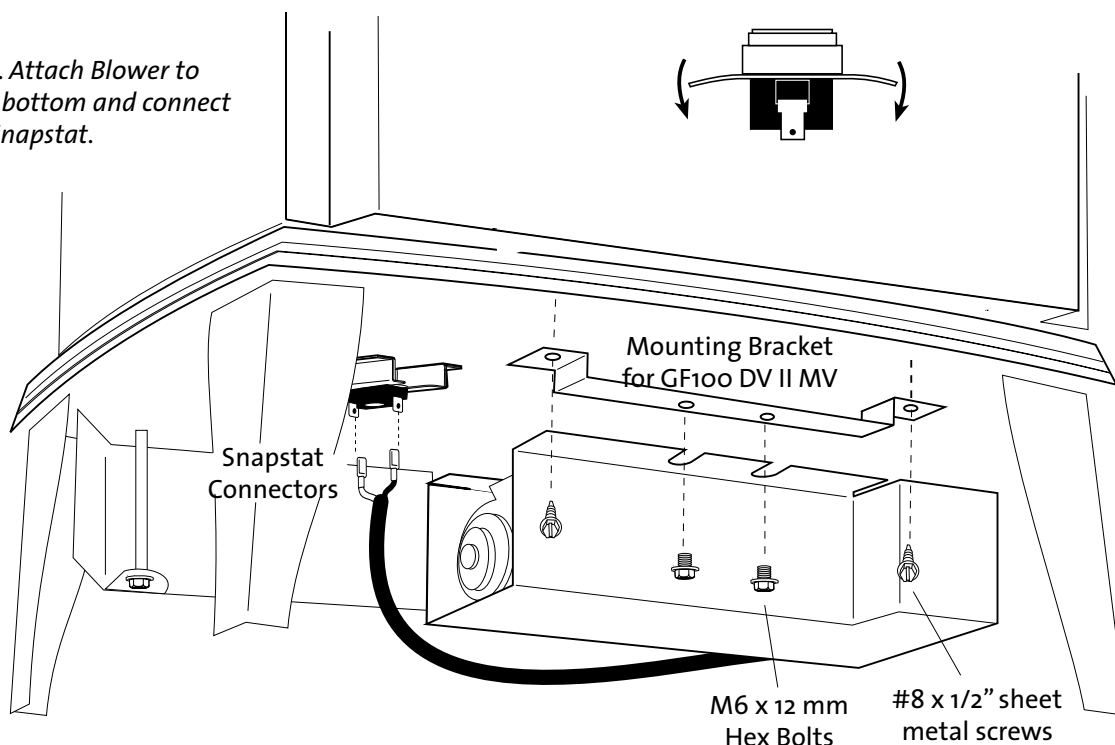


Figure 36. Attach Control Switch Box.



Figure 37. Attach Blower to the stove bottom and connect wires to Snapstat.



4. Attach the Blower directly to the tapped hole in the cast iron stove bottom using the two M6 x 12 mm flange head hex bolts.
5. Attach either Snapstat wire connector to either Snapstat terminal. See figs.35 and 37.
6. Connect power cord to the nearest outlet.

## Blower Operation

The variable-speed blower will enhance heat circulation around the firebox and out into the room. The blower is controlled by a heat activated switch (snapstat) that will function only when the control switch is in the AUTO setting. After the fire has been burning for a time, the snapstat will react to the heat and activate the blower. Fan speed may be manually adjusted with the rheostat knob. If the burner turns off, the blower will be shut off automatically when the stove cools down.

If automatic blower circulation is not desired, place the blower control switch in the MANUAL position. That will override the snapstat allowing the blower to run continuously.

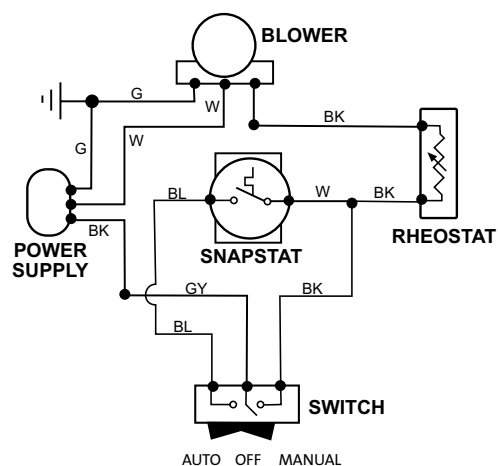


Figure 38. Blower Wiring Diagram

### CAUTION:

**LABEL ALL WIRES PRIOR TO DISCONNECTION WHEN SERVICING CONTROLS. WIRING ERRORS CAN CAUSE IMPROPER AND DANGEROUS OPERATION. VERIFY OPERATION AFTER SERVICING.**

### ATTENTION:

**AU MOMENT DE L'ENTRETIEN DES COMMANDES, ETIQUETEZ TOUS LE FILS AVANT LE DEBRANCHEMENT. ES ERREURS DE CEBLAGE PEUVENT ENTRA TUN FONCTIONNEMENT INADEQUAT ET DANGEREUX.**

# GF 200 DV II and DV II MV Illustrated Parts Breakdown / Firebox Assembly

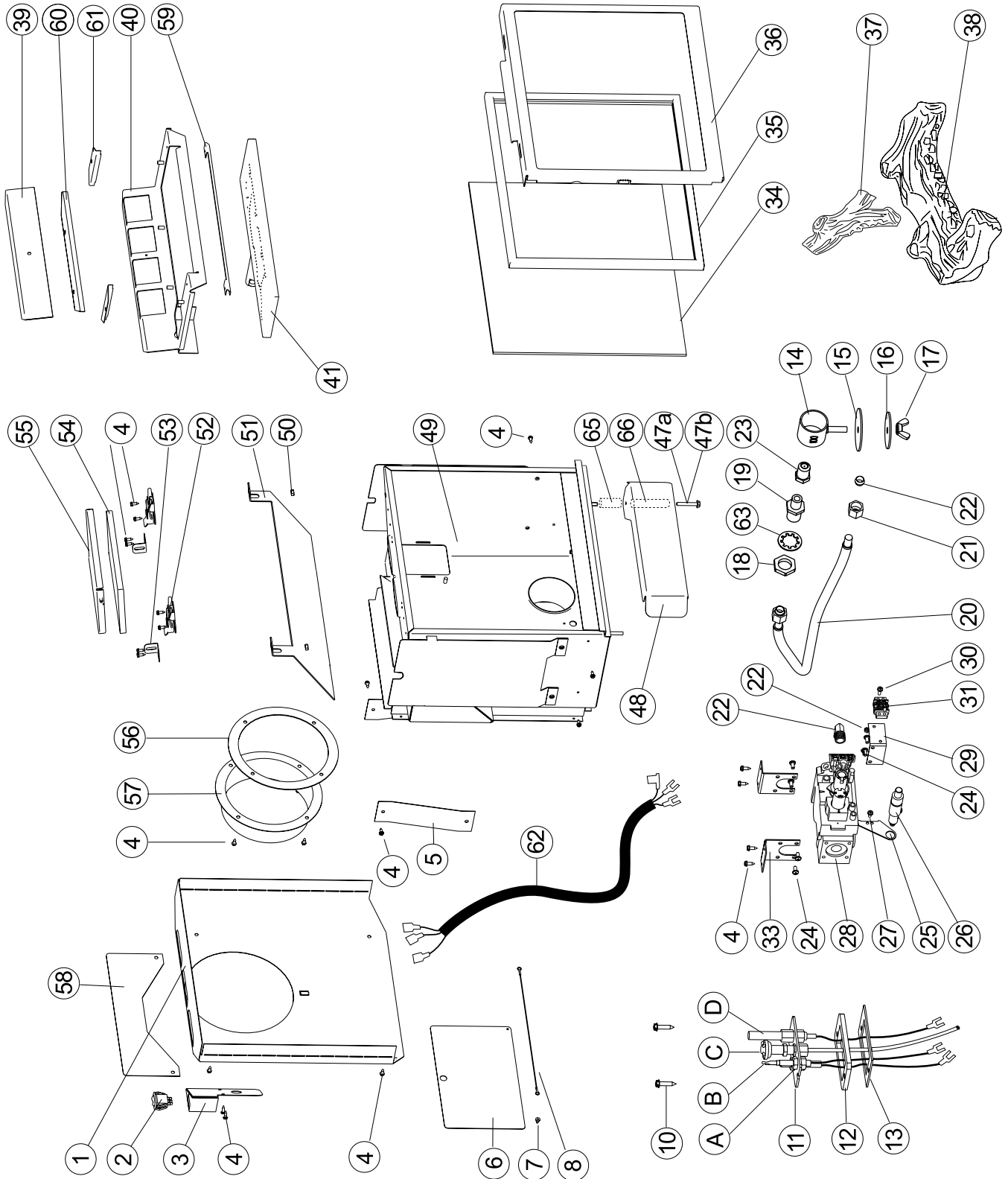


Figure 39.

# GF 200 DV II & DV II MV Firebox Assembly Parts List

Part Description	Part Number
1. Rear Shroud, Matte Black .....	22055592
Rear Shroud, Jøtul Iron .....	22055585
2. Burner Control Switch .....	129123
3. Switch Box, Matte Black .....	22092592
Switch Box, Jøtul Iron .....	22092585
4. Sheet Metal Screw, #8 x 1/2" .....	117117
5. Air Diverter.....	220981
6. Rating Plate - DV II.....	220920
Rating Plate - DV II MV .....	226572*
7. Rivet, 1/8" .....	117946
8. Lanyard Cable .....	129159
9. Bolt, M6 x 20 .....	117117
10. Screw, #8 x 3/4" Hex .....	117986
11. Pilot Assembly.....	129471
A. Electrode.....	129765
B. Thermocouple .....	129766
C. Pilot Line w/ Fittings.....	129446
D. Thermopile.....	3094527
12. Pilot Spacer .....	220546
13. Pilot Gasket.....	129670
14. Air Shutter .....	220928
15. Air Shutter Gasket.....	221107
16. Wing Nut .....	117975
17. Washer, 25 x 1 1/2" .....	118029
18. Jam Nut .....	129152
19. Orifice Holder .....	220643
20. Main Gas Flex Tube .....	129390
21. Compression Nut.....	129464
22. Compression Sleeve.....	129463
23. Burner Orifice, #46 NG / GF200 .....	220975
Burner Orifice, 1.20 LP / GF200.....	221185
24. Screw, 10-32 x 3/8" Phillips .....	117911
25. Ignitor Bracket.....	3902576
26. Ignitor.....	3902573
27. Screw, M4 x 8 Phillips .....	117920
28. Gas Valve, 50% TD/ HiTemp - NG.....	222263
Gas Valve, MV - 50% TD, SIT 821.....	226560*
29. Terminal Block Bracket.....	220930
30. Screw, M4 x 12 Phillips .....	117921
31. Terminal Block, 2 Pole .....	129154
32. Nut, M4 Hex.....	117922
33. Valve Retainer.....	220924
34. Glass, Ceramic .....	220576
35. Glass Gasket, Tadpole .....	129124
36. Glass Frame, Matte Black .....	22136592
Glass Frame, Jøtul Iron .....	22136585
Glass Replacement Kit .....	155599
37. Middle Log .....	221105

Part Description	Part Number
38. Rear Log, (two-piece) .....	221104
Log Set w/ Embers .....	155816
*Ember Stones, 4 oz. ....	129123
39. Dilution Air Cover .....	221108
40. Burner Skirt .....	220797
41. Replacement Burner, Complete .....	155600
47a. Valance Bolt, M6 x 100 Hex Hd .....	117955
(for GF 100 DV II MV)	
47b. Valance Bolt, M6 x 130 Hex Hd.....	118033
(for GF 200 DV MV)	
48. Valance Door, Matte Black.....	22093192
Valance Door, Jøtul Iron .....	22093185
49. Firebox .....	221324
50. Hex Nut, M6 .....	9930
51. Exhaust Baffle .....	22092792
52. Glass Frame Latch .....	129135
53. Relief Door Guide.....	129499
54. Relief Door Gasket.....	220735
55. Relief Door .....	220589
56. Adapter Pipe Gasket .....	129118
57. Adapter Pipe .....	129322
58. Wallshield, Matte Black .....	22092692
Wallshield, Jøtul Iron .....	22092692
59. Air Deflector, Burner Skirt.....	221109
60. Rear Restrictor Plate, Matte Blk .....	2211092
Rear Restrictor Plate, Jøtul Iron .....	2211085
61. Side Restrictor Plate, Matte Blk.....	22099192
Side Restrictor Plate, Jøtul Iron.....	22099185
62. Wire Harness, Burner Control.....	155813
63. Star Washer .....	118032
65. Valance Hinge Spacer, 1" GF200 only.....	118039
66. Valance Hinge Spacer, 3" .....	118040
67. **Orifice Retainer.....	221367
68. **Terminal Block Bracket - MV only ...	226551

\* > SN 6000000

\*\* Parts not illustrated

**ALWAYS USE REPLACEMENTS PARTS  
PROVIDED BY AN AUTHORIZED JØTUL DEALER ONLY.**

# Illustrated Parts Breakdown / Cast Iron and Associated Hardware

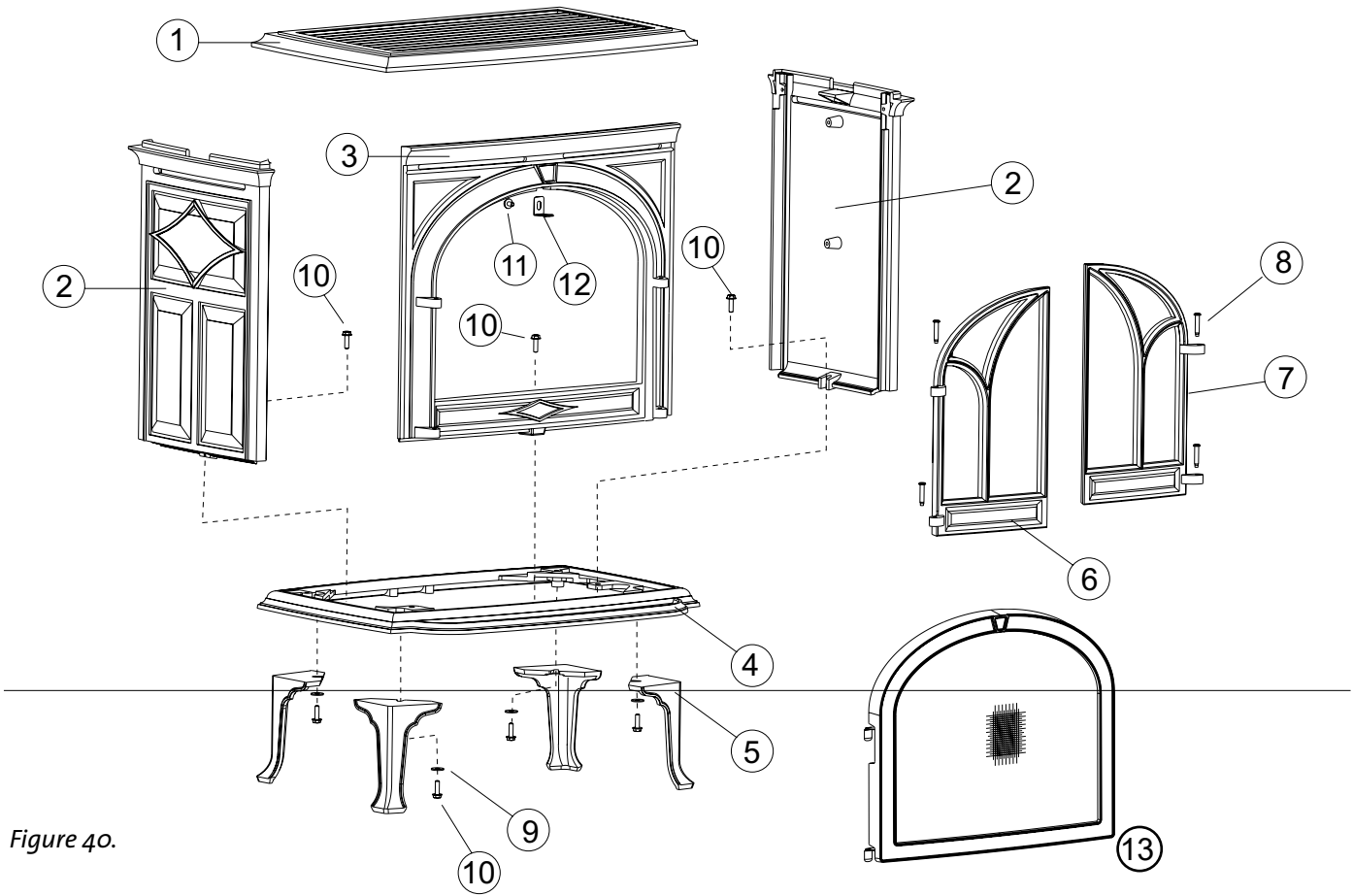


Figure 40.

Cast Iron Parts	Matte Black Paint	Blue Black Enamel	Majolica Brown Enamel	Linen Enamel
1. Top Casting	10390692	10390627	10390647	10390654
2. Side Panel	10390792	10390727	10390747	10390754
3. Front Panel	10390592	10390527	10390547	10390554
4. Bottom Plate	10390092	10390027	10390047	10390054
5. Leg, 6"	10195292	10195227	10195247	10195254
6. Left Door	10425592	10425527	10425547	10425547
7. Right Door	10425692	10425627	10425647	10425654
Front Assembly*	15592392	155925	156384	158156
13. Safety Barrier	157688	n/a	n/a	n/a

\* Front Assembly includes Front, Left & Right Doors, and Hinge Pins

## Shell Hardware

8. Hinge Pin, (4)	129560
9. Fender Washer, M6 (4)	120004
10. Bolt, M6 x 20, (4)	117117
11. Bolt, M6 x 10 Hex Hd Flange	9962
12. Door Catch	220919

## Jøtul GF 200 DV MV Accessories

- Fuel Conversion Kit - LP ..... 155626
- Fuel Conversion Kit - NG ..... 155627
- High Altitude Adjustment Kit - NG ..... 155808
- High Altitude Adjustment Kit - LP ..... 155809
- Blower Kit ..... 155631
- Antique Brick Kit ..... 155815
- Wall Thermostat ..... 750003
- Remote Control ..... 129706
- Universal Leg Leveler ..... 156096
- Mobile Home Bracket Kit ..... GF200DVII (6") / 154923  
..... for Long Legs (8") / 750304
- Long Leg Kits ..... Matte Black / 154929  
..... Blue Black / 154930  
..... Brown Majolica Enamel / 351149

# Appendix

## Optional Antique Brick Panel Kit 155815 Installation

**CAUTION!**  
THE BRICK PANELS ARE EXTREMELY FRAGILE.  
HANDLE WITH CARE. WEAR SAFETY GLOVES TO  
PROTECT HANDS.

1. Remove the Top Plate. Simply lift it up off of the stove body. It is not fastened.
2. Remove the Glass Frame. Disengage the two trunk latches located at the top of the firebox and lift the glass frame up and out of the firebox.
3. If installed, remove the Logset.  
These parts are not fastened. Simply lift them out of the firebox. You do not have to remove the embers.
4. Install the Lower Panel.  
Position it up against the back wall, resting on the Burner Skirt. Fig. 43.
5. Install one of the Side Panels, pushing it up against the firebox wall. Fig. 44
6. Position the Upper Panel. You should seat the Upper Panel down and forward so that no gaps are evident at the panel joints, as in Fig. 44.
7. Install the other Side Panel while holding the Upper Panel in position.  
Adjust the panels so that the mortar joints align with those adjacent.
8. Install the Logset. Refer to pg. 20.  
**BE CERTAIN THAT NO EMBERS ARE BLOCKING THE PILOT ASSEMBLY OPENING.**
9. Replace the Glass Frame.  
Slide the frame down the slot in the front of the firebox. Be sure to push the frame into the slot in the bottom to ensure it is fully seated. The gasket at the top of the frame should be flush with the top of the firebox.
- Re-engage the trunk latches with the top lip of the glass frame.
10. Replace the Top Plate.

Tools Required: Safety glasses and gloves

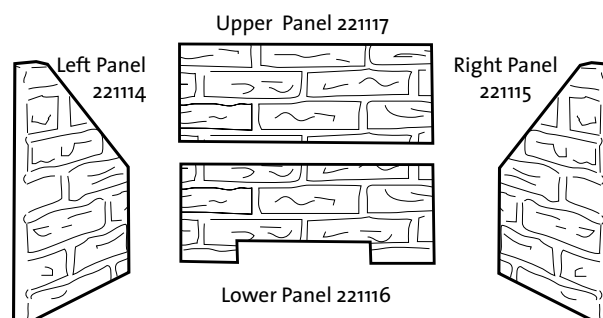


Figure 42. Brick Panel Kit Contents.

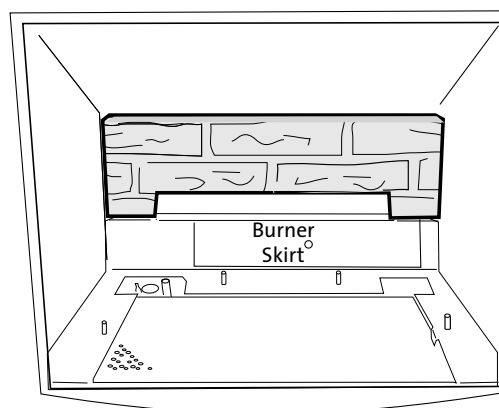


Figure 43. Install the Lower Rear Panel

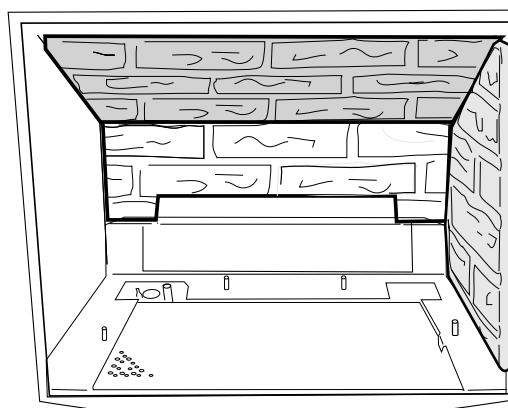


Figure 44 . Install the Upper and Side Panels.

# Jøtul Gas Product Warranty

This warranty policy applies to gas products identified by Jøtul, Scan, and Atra trade names, as set forth below.

**A. LIMITED FIVE YEAR WARRANTY - Cast Iron, Steel Doors, Surround Components, Firebox:**

Jøtul North America Inc. (JØTUL) warrants, to the original retail purchaser, that those components of the Jøtul, Scan, or Atra Gas Stove or Fireplace specified above will be free of defects in material and workmanship for a period of five (5) years from the date of purchase. This warranty is subject to the terms, exclusions and limitations set forth in the following text.

**B. LIMITED TWO YEAR WARRANTY - Burner, Burner Treatments, Firebox Panels:**

JØTUL warrants, to the original retail purchaser, that those components of the Jøtul, Scan, or Atra Gas Stove or Fireplace specified above will be free of defects in material and workmanship for a period of two (2) years from the date of purchase. This warranty is subject to the terms, exclusions, and limitations set forth in the following text.

**C. LIMITED TWO YEAR WARRANTY - Enamel Finish:**

JØTUL warrants, to the original retail purchaser, the enamel finish on cast iron components of the Jøtul Stove or Fireplace Insert specified above against peeling or fading for a period of two (2) years from the date of purchase. This warranty is subject to the terms, exclusions and limitations set forth below.

**D. LIMITED ONE YEAR WARRANTY - Gas & Electrical Components (controls, plumbing, valve, blower):**

JØTUL warrants, to the original retail purchaser, that those components of the Jøtul, Scan, or Atra Gas Stove or Fireplace specified above will be free of defects in material and workmanship for a period of one (1) year from the date of purchase. This warranty is subject to the terms, exclusions, and limitations set forth in the following text.

JØTUL will repair or replace (including parts & labor), at its option, any of the above components determined by JØTUL to be covered by this warranty. You must, at your own expense, arrange to deliver or ship the component to an authorized Jøtul, Scan, or Atra dealer and arrange for pickup or delivery of the component after repairs have been made. If, upon inspection, JØTUL determines that the component is covered by this warranty, the repair or replacement will be made as set forth above. This warranty is not transferable and is extended only to, and is solely for the benefit of, the original retail purchaser of the Jøtul, Scan, or Atra Gas Stove or Fireplace. This paragraph sets forth the sole remedy available under this warranty in the event of any defect in the Jøtul, Scan, or Atra Gas Stove or Fireplace.

The warranty period for any replaced component will be the remaining unexpired portion of the warranty period for the original component. Please retain your dated sales receipt in your records as proof of purchase.

## EXCLUSIONS AND LIMITATIONS

**NOTICE:** This warranty is void if installation or service is performed by someone other than an authorized installer, service agency or gas supplier, or if installation is not in conformance with the installation and operating instructions contained in this owner's manual or local and/or national fire and building regulations. A listing of local authorized installers, service agencies and gas suppliers can be obtained from the National Fireplace Institute at <http://www.nficertified.org/>.

This warranty does not cover the following:

- 1) Repair or replacement of parts that are subject to normal wear and tear during the warranty period or to parts that may require replacement in connection with normal maintenance. **These parts include paint, gaskets, lamp bulbs, and glass** (except to the extent such parts

suffer damage from thermal stress).

- 2) Damage due to incorrect installations not in conformance with the installation instructions contained in this owner's manual or local and/or national fire and building regulations.
- 3) Damage due to service performed by an installer, service agency or gas supplier, unless otherwise agreed to in writing by JØTUL.
- 4) Labor or other costs associated with the repair of gas controls, plumbing, burners, log set, or sheet metal firebox beyond the warranty period.
- 5) Damage to enamel finish including chipping, mechanical or chemical abrasion, crazing, staining, or rust caused by high humidity or salt air environments.
- 6) Damage to enameled surfaces caused by improper operation or misuse, including use that is not in conformance with the operating instructions contained in this owner's manual. Such damage can typically be identified by bubbling, cracking, or discoloration of the enamel finish.
- 7) Damage caused by unauthorized modification, use or repair.
- 8) Costs incurred by travel time and/or loss of service.
- 9) Damage incurred while the Jøtul, Scan, or Atra Gas Stove or Fireplace is in transit.

IN NO EVENT SHALL JØTUL, ITS PARENT COMPANY, SHAREHOLDERS, AFFILIATES, OFFICERS, EMPLOYEES, AGENTS OR REPRESENTATIVES BE LIABLE OR RESPONSIBLE TO YOU FOR ANY SPECIAL, INDIRECT, INCIDENTAL, CONSEQUENTIAL, PUNITIVE OR OTHER SIMILAR DAMAGES, INCLUDING, BUT NOT LIMITED TO, LOST PROFITS, LOST SALES, INJURY TO PERSON OR PROPERTY, OR DAMAGES TO A STRUCTURE OR ITS CONTENTS, ARISING UNDER ANY THEORY OF LAW WHATSOEVER. ALL IMPLIED WARRANTIES, INCLUDING THE IMPLIED WARRANTIES OF MERCHANTABILITY AND FITNESS FOR A PARTICULAR PURPOSE, OR OTHERWISE, ARE LIMITED IN DURATION TO THE LENGTH OF THIS WRITTEN WARRANTY. EXCEPT AS EXPRESSLY SET FORTH HEREIN, JØTUL MAKES NO ORAL, WRITTEN OR OTHER WARRANTY WITH RESPECT TO JØTUL, SCAN OR ATRA GAS STOVES OR FIREPLACES.

Some states do not allow the exclusion or limitation of incidental or consequential damages, or limitations on the length of implied warranties. Therefore, the above exclusions or limitations may not apply to you. This warranty gives you specific legal rights, and you may have other rights, which vary from state to state.

JØTUL reserves the right to discontinue, modify or change the materials used to produce the Jøtul, Scan, or Atra Gas Stove or Fireplace. JØTUL shall have the right to replace any defective component with substitute components determined by JØTUL to be of substantially equal quality and price.

The dollar value of JØTUL's liability for breach of this warranty shall be limited exclusively to the cost of furnishing a replacement component. JØTUL shall not in any event be liable for the cost of labor expended by others in connection with any defective component. Any costs or expenses beyond those expressly

assumed by JØTUL under the terms of this warranty shall be the sole responsibility of the owner(s) of the Jøtul, Scan, or Atra Gas Stove or Fireplace.

No dealer, distributor, or other person is authorized to modify, augment, or extend this limited warranty on behalf of JØTUL. NO MODIFICATION OR CHANGE TO THIS WARRANTY WILL BE EFFECTIVE UNLESS IT IS MADE IN A WRITTEN

DOCUMENT MANUALLY SIGNED BY AN AUTHORIZED OFFICER OF JØTUL.

An authorized installer may have been provided with certain information related particularly to the Jøtul, Scan, or Atra Gas Stove or Fireplace; however, no authorized installer or other person who may service the appliance is an agent of JØTUL. No inference should be made that JØTUL has tested, certified, or otherwise pronounced any person as qualified to install or service the appliance. JØTUL shall not be liable or otherwise responsible for any error or omission by a person installing or servicing a Jøtul, Scan, or Atra Gas Stove or Fireplace.

If you believe your Jøtul, Scan, or Atra Gas Stove or Fireplace is defective, you should contact your nearest authorized Jøtul, Scan, or Atra dealer, who will process a warranty claim. IN ORDER TO QUALIFY FOR WARRANTY COVERAGE, JØTUL MUST RECEIVE NOTICE OF A POSSIBLE DEFECT WITHIN SIXTY (60) DAYS OF THE DATE THE DEFECT IS FIRST DISCOVERED, OR REASONABLY COULD HAVE BEEN DISCOVERED.

This warranty is given by Jøtul North America, Inc.,  
55 Hutcherson Drive, Gorham, Maine 04038 USA

# LIGHTING INSTRUCTIONS

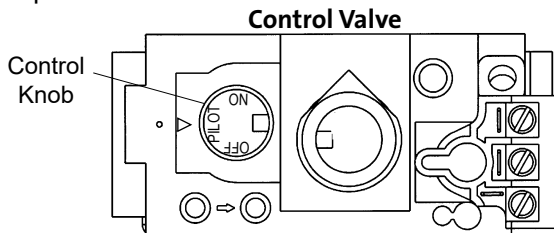
FOR YOUR SAFETY, READ BEFORE LIGHTING.


**WARNING:**  
IF YOU DO NOT FOLLOW THESE INSTRUCTIONS EXACTLY, A FIRE OR EXPLOSION MAY RESULT CAUSING PROPERTY DAMAGE, PERSONAL INJURY, OR LOSS OF LIFE.

- A. This appliance has a pilot which must be lit by hand. When lighting the pilot, follow these instructions exactly.
- B. BEFORE LIGHTING, smell all around the appliance area for gas. Be sure to smell next to the floor because some gas is heavier than air and will settle to the floor.
- WHAT TO DO IF YOU SMELL GAS:
- Extinguish any open flame.
  - Open windows.
  - Do not light any appliance.
  - Do not touch any electrical switches.
  - Do not use any phone in your building.
  - Immediately call your gas supplier from a neighbor's phone.
- If your gas supplier cannot be reached, call the fire department.
- C. Use only your hand to push in or turn the gas control knob. Never use tools. If the knob will not push in or turn by hand, do not try to repair it. Call a qualified technician. Force or attempted repair may result in a fire or explosion.
- D. Do not use this appliance if any part has been under water. Immediately call a qualified service technician to inspect the appliance and to replace any part of the control system and any gas control which has been under water.

## LIGHTING INSTRUCTIONS

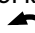
1. STOP! Read the safety information above.
2. Access the lower controls.
3. Turn the stove ON/OFF switch to "OFF", or set the thermostat to lowest setting (if used).
4. Confirm that the gas supply line shut-off valve is open.

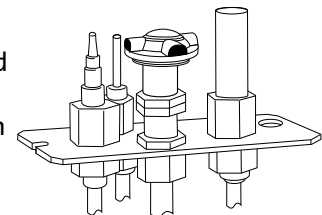


5. Push in gas control knob slightly and turn clockwise  to "OFF".


NOTE: Knob cannot be turned from "PILOT" to "OFF" unless the knob is pushed in slightly. Do not force.

6. Wait five (5) minutes to clear out any gas. If you then smell gas, STOP! Follow "B" in the safety information above on this page. If you do not smell gas, go to the next step.


7. Push in gas control knob slightly and turn counterclockwise  to "PILOT".
8. Push in control knob all the way and hold in. Immediately light the pilot by triggering the spark ignitor (push the red button repeatedly) until pilot lights. Continue to hold the control knob in for about one minute after the pilot lights. Release knob and it should spring back. The pilot should remain lit. If it goes out, repeat Steps 5 through 8.



Pilot Assembly

- If knob does not return when released, stop and immediately call your service technician or gas supplier.
  - If pilot will not stay lit after several tries, turn the control knob to OFF and call your service technician or gas supplier.
9. Turn gas control knob counterclockwise  to "ON".
  10. Turn the stove ON/OFF switch to "ON", or set thermostat (if used) to desired temperature.

## TO TURN OFF GAS TO THE APPLIANCE:

1. Turn ON/OFF switch to "OFF". The pilot will remain lit for normal service.
2. For complete shutdown, turn ON/OFF switch to "OFF".
3. Access the lower controls.
4. Depress gas control knob slightly and turn clockwise  to "OFF". Do not force.

August 2021  
139955-C

This appliance must be installed in conformance with local and national building regulations. Before beginning the installation, it is important that these instructions be carefully read and understood. Jøtul maintains a policy of continual product development. Consequently, products may differ in specification, color or type of accessories from those illustrated or described in various publications.



**Jøtul North America**  
55 Hutcherson Drive  
Gorham, Maine 04038-2634

**Jøtul AS**  
P.O. Box 1411  
N-1602 Fredrikstad  
Norway

[www.jotul.us](http://www.jotul.us)

Canada	
<b>ENERGUIDE</b>	
Gas Fireplace Energy Efficiency Rating	
Natural Gas	/ 73.63%
Propane	/ 72.14%
Based on CSA P.4.1-15	
Model No.	Jøtul GF 200 DV II MV