

10.0 Jøtul GI 535 DV IPI Replacement Parts

**ONLY USE
REPLACEMENT PARTS
PROVIDED BY AN
AUTHORIZED
JØTUL DEALER.**

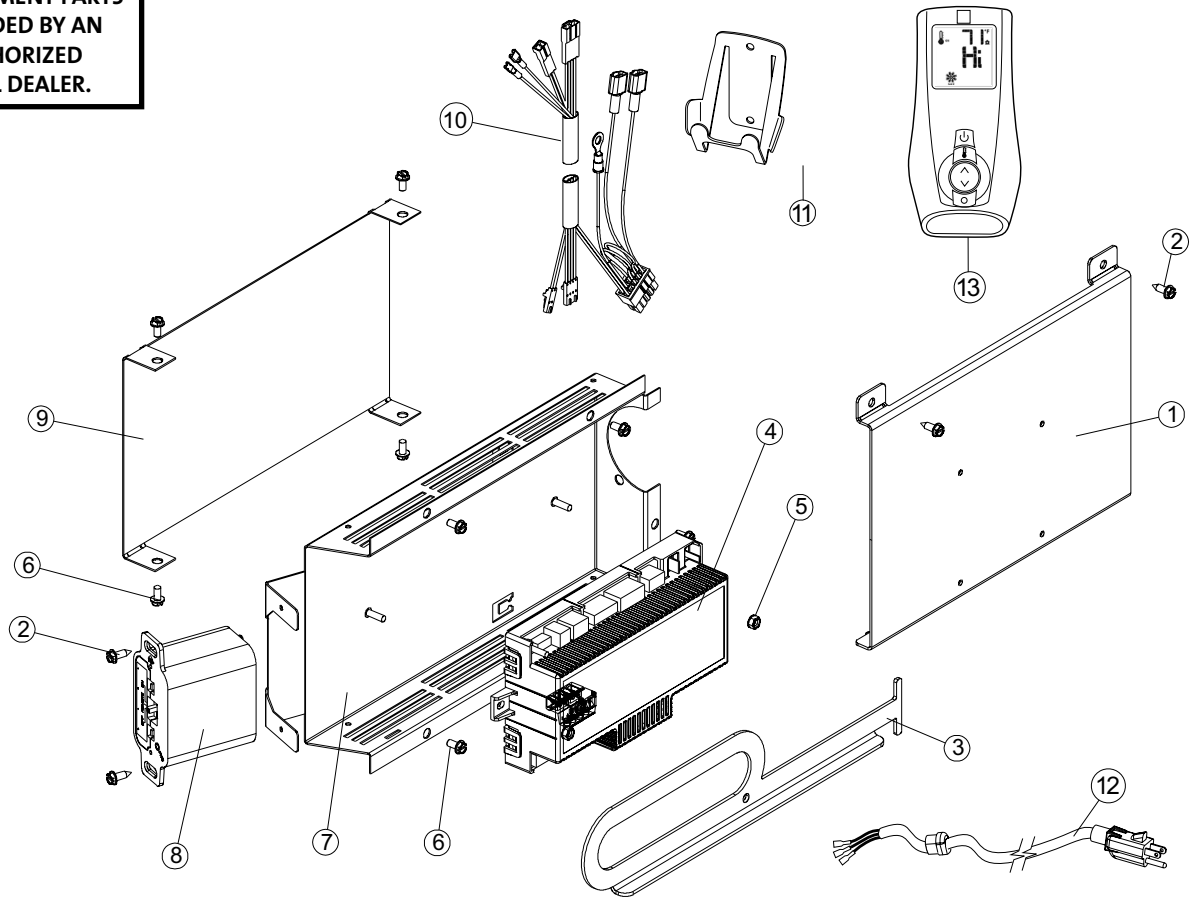
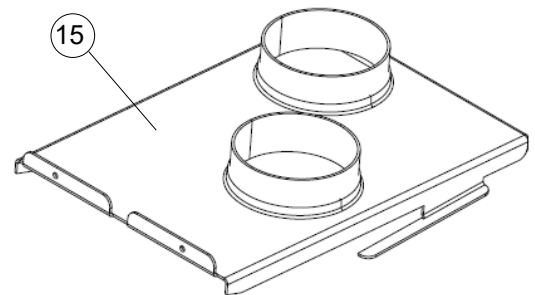


Figure 10.1
Controls components, right side compartment.

No.	Part Number	Description
1	225797	Controls, Skid Plate
2	117917	Screw, HWH SMA #8 x 1/2" SL Blk Oxide
3	225694	Latch Handle
4	226331	Proflame 2 IFC, Smart Start
5	118055	Kepnut, M4 Ext. Tooth Lock washer
6	117999	Screw, #8 x 3/8", SL SMA Type B, Zinc
7	225495	IFC Bracket
8	158006	Proflame 2 Battery Box
9	225497	IFC Heat Shield
10	225682	Ext. Wire Harness, Proflame 2, Split Flow
11	223951BKP	Replacement Remote Wall Bracket / Blk PC
12	157492	Replacement Power Cord, 18 AWG - 10 ft.
13	157495	Replacement Multifunction Remote Transmitter
14	157907	Replacement Battery Wire Harness - <i>not illustrated</i>
15	226086	Vent Adaptor Assembly



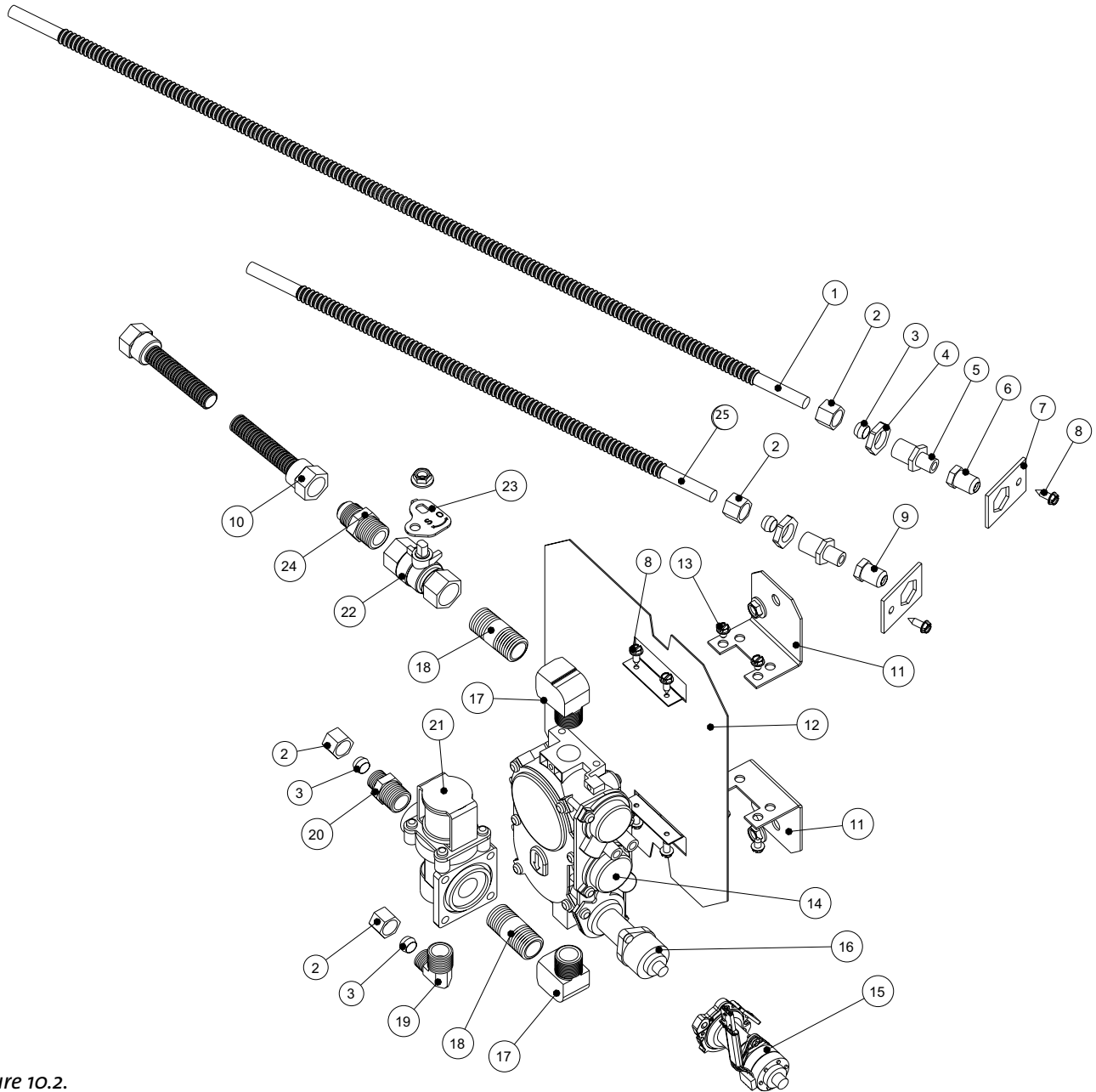


Figure 10.2.
Valve Train components, left side compartment.

No.	Part Number	Description
1	226003	Flex Tube, Main Gas - 5/16" OD x 20"
2	129464	Compression Nut - 5/16"
3	129463	Compression Sleeve - 5/16"
4	129152	Jam Nut - Orifice Holder Assembly
5	220643	Orifice Holder, Straight
6	129407	Right Orifice, #48 NG
	129466	Right Orifice, #56 mm, LP
7	225663	Retainer, Orifice Holder
8	117917	Screw, #8 x 1/2" HWH SMA Black Oxide
9	225840	Left Orifice, 1.95 mm, NG
	129409	Left Orifice, 3/64", LP
10	129707	Flex Tube w/ Connectors - 3/8" OD x 36"
11	225526	Valve Bracket

No.	Part Number	Description
12	225527	Valve Heat Shield
13	118214	Screw, #8 x 1/4", Taptite, SLHWH, SZPL
14	222922	Valve, NG / 30% TD, Proflame w/ Stepper Motor
15	157784	Fuel Conversion Kit, Motorized / LP 30% TD
16	157785	Fuel Conversion Kit, Motorized / NG 30% TD
17	222941	Elbow, Brass, Street, 90° 3/8" NTP
18	223214	Nipple, Iron, 3/8" NTP x 1.5" Long
19	129129	Elbow, 90° Brass, 3/8" NTP to 5/16" Dia. Compression
20	220044	Adaptor, Brass, 3/8" NPT to 5/16" Dia. Compression
21	157972	Proflame Splitflow Solenoid Valve
22	222407	Valve, Straight 3/8" FIP x 3/8" FIP
23	225498	Valve Handle
24	223215	Adaptor, Straight, Brass, 3/8" NTP x 3/8" Flare
25	129390	Flex Tube, Main Gas - 5/16" OD x 14"

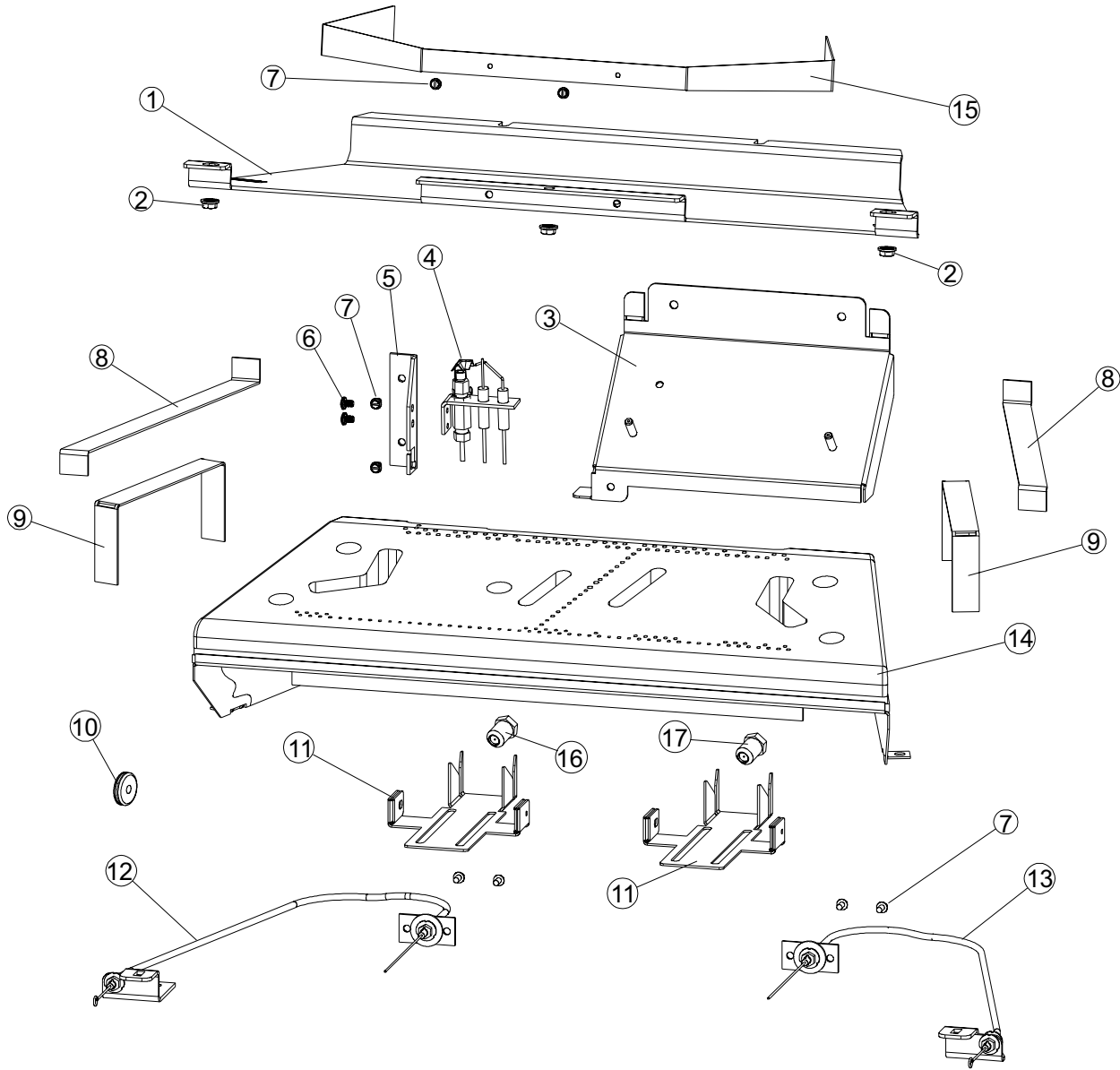


Figure 10.3 Internal firebox components.

No.	Part Number	Description
1	225706	Upper Baffle
2	117968	Hex Nut, M6 Serrated Flange
3	22571092	Rear Log Support
4	225681	Pilot Assembly / Integrated Dual Fuel
5	225778	Pilot Bracket
6	118279	Screw, Pan Head, Phillips, 10-32 x 1/4"
7	117917	Screw, #8 x 1/2" HWH SMA
8	22592992	Glass Shelf
9	22592292	Brick Panel Shelf
10	225525	Pilot Grommet, Silicone
11	225970	Air Shutter Tray (Handle)
12	157783	Left Shutter Cable Assembly
13	157862	Right Shutter Cable Assembly
14	157760	Burner Assembly, Replacement
15	225847	Upper Baffle Wing Panel

No.	Part Number	Description - not illustrated
16	225840	Orifice, Left, 1.95 mm, o - 2000 ft. / NG
	129407	Orifice, Left, #48, 2001 - 4500 V ₃ V ₃ ft. / NG
	129409	Orifice, Left, 3/64", o-2000 ft. / LP
	129466	Orifice, Left, #56, 2001 - 4500 V ₃ V ₃ ft. / LP
17	129407	Orifice, Right, 1#48, o - 2000 ft. / NG
	129411	Orifice, Right, #49, 2001 - 4500 V ₃ V ₃ ft. / NG
	129466	Orifice, Right, #56, o-2000 ft. / LP
	220977	Orifice, Right, #57, 2001 - 4500 V ₃ V ₃ ft. / LP

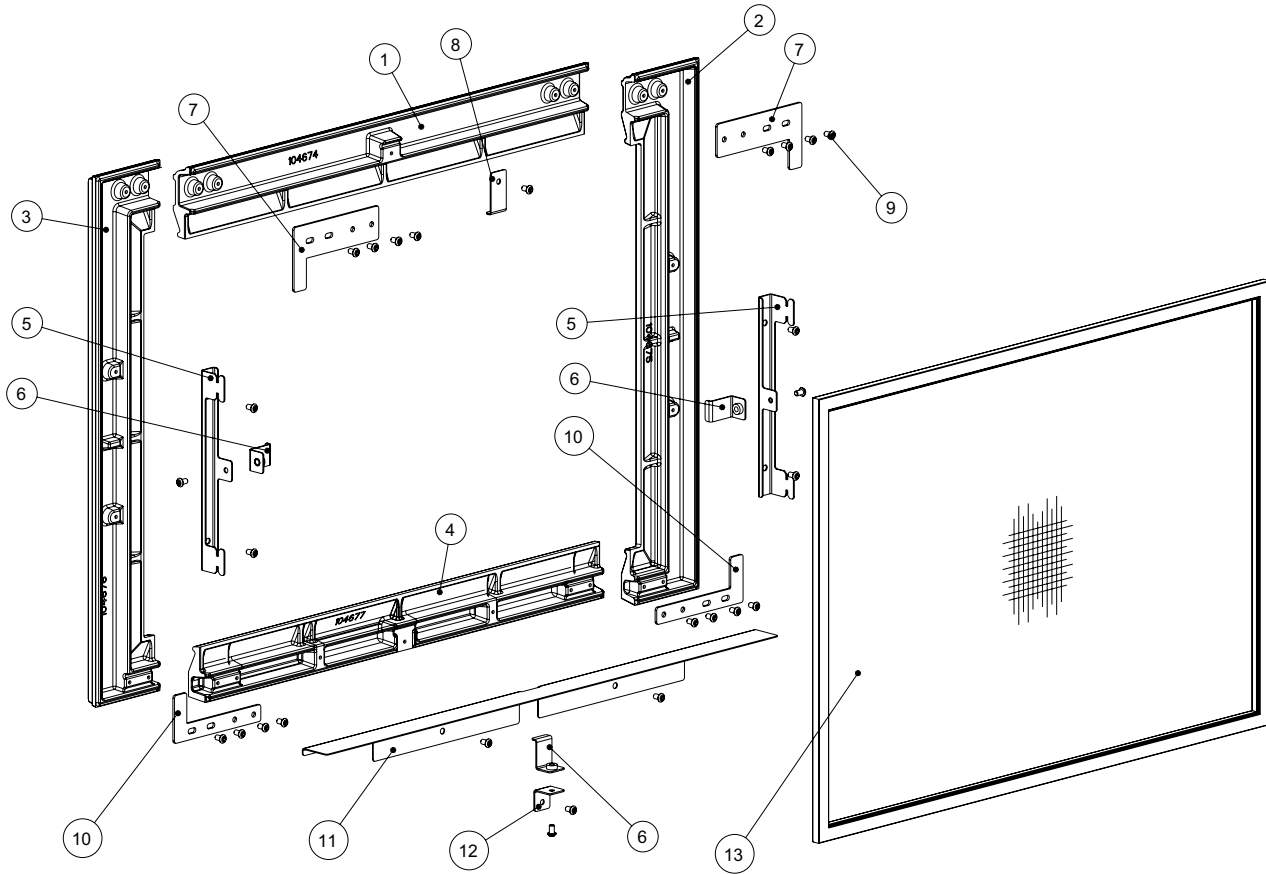


Figure 10.4. Cast Iron Overlay and Steel Overlay Safety Screen Screen Assemblies

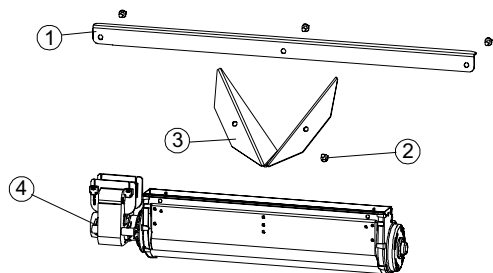
No.	Part Number	Description
1	10467892	Replacement Overlay Frame, Top, MB
	157903	Replacement Overlay Frame, Top, BRM
2	10467992	Replacement Overlay Frame, Left, MB
	157904	Replacement Overlay Frame, Left, BRM
3	10468092	Replacement Overlay Frame, Right, MB
	157905	Replacement Overlay Frame, Right, BRM
4	10468192	Replacement Overlay Frame, Bottom, MB
	157906	Replacement Overlay Frame, Bottom, BRM
5	225783	Hanging Bracket (2)
6	225785	Adjustable Screen Retainer (3)
	225856	Adjustable Screen Retainer, Enamel (3)
7	225937	Top Corner Bracket, (2)
	225939	Top Corner Bracket, Enamel
8	225784	Top Screen Retainer
9	117978	Screw, M6 x 10 Button Head (29)
10	225938	Bottom Corner Bracket (2)
	225940	Bottom Corner Bracket, Enamel (2)
11	225895	Bottom Shade
12	225782	Bulkhead Screen Adjustor
13	225731	Safety Screen Assembly

No.	Part Number	Steel Overlay Parts
1	225986BKP	Replacement Steel Overlay, Black Powder Coat
	225986BZP	Replacement Steel Overlay, Bronze Powder Coat
	225986JIP	Replacement Steel Overlay, Jotul Iron Paint
5	225989	Steel Overlay Hanging Bracket
	225991	Screen Retainer, Top
6	225992BKP	Adjustable Screen Retainer, Black Powder Coat
	225992BZP	Adjustable Screen Retainer, Bronze Powder Coat
	225992JIP	Adjustable Screen Retainer, Jotul Iron Powder Coat
11	225990	Steel Overlay Bottom Shade
13	225731	Screen, Quanex InvisiMesh. Cast Iron Overlay
	225985	Screen, Quanex InvisiMesh. Steel Overlay

MB: Matte Black Paint

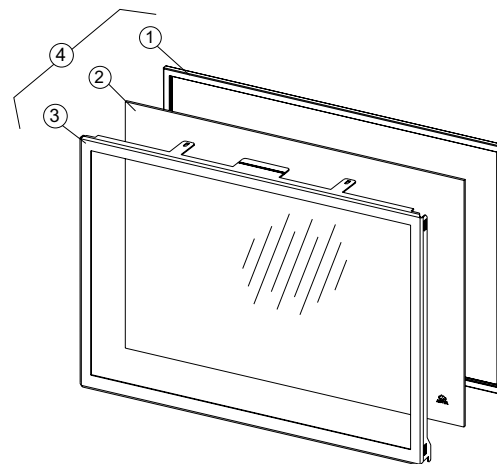
BRM: Brown Majolica Porcelain Enamel

Figure 10.5. Blower Assembly



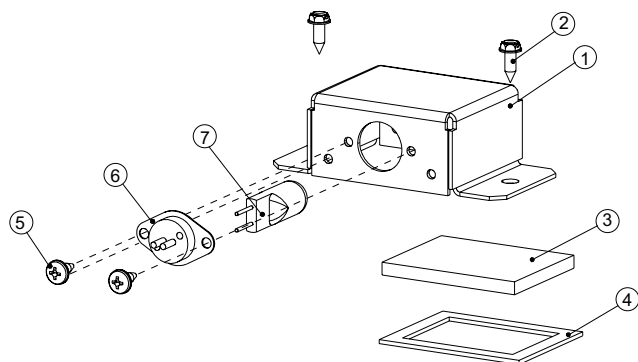
No.	Part Number	Description
1	225845	Blower Bracket
2	117917	Screw, HWH SMA 8 x 1/2 SL Blk Oxide
3	225861	Blower Chevron
4	157969	Blower, Replacement, Crossflow, 12" Cage, 120 CFM

Figure 10.6. Glass components.



No.	Part Number	Description
1	129124	Gasket, Fiber Glass w/ Graphite, .25" x 1.25", 7.3 ft.
2	157894	Glass Panel w/ Gasket
3	22570892	Glass Frame, Matte Black
4	157895	Replacement Frame w/ Glass Assembly (inc. 1,2,3)
5	220042	Tinnerman Glass Retainer Clip

Figure 10.7. Lamp Assembly



No.	Part Number	Description
1	225491	Light Fixture, Matte Black
2	117917	Screw, HWH SMA #8 x 1/2" SL Blk Oxide
3	222974	Glass, Ceramic, Light Fixture
4	222977	Gasket, Light Fixture
5	117967	Screw, Pan Head, SMA #7 x 3/8"
6	157601	Replacement Holder Harness Connector
7	222943	Light Bulb, 130V, 50 Watt