

9.0 Jøtul F 35 Illustrated Parts

Only use replacement parts provided through your authorized Jøtul dealer.

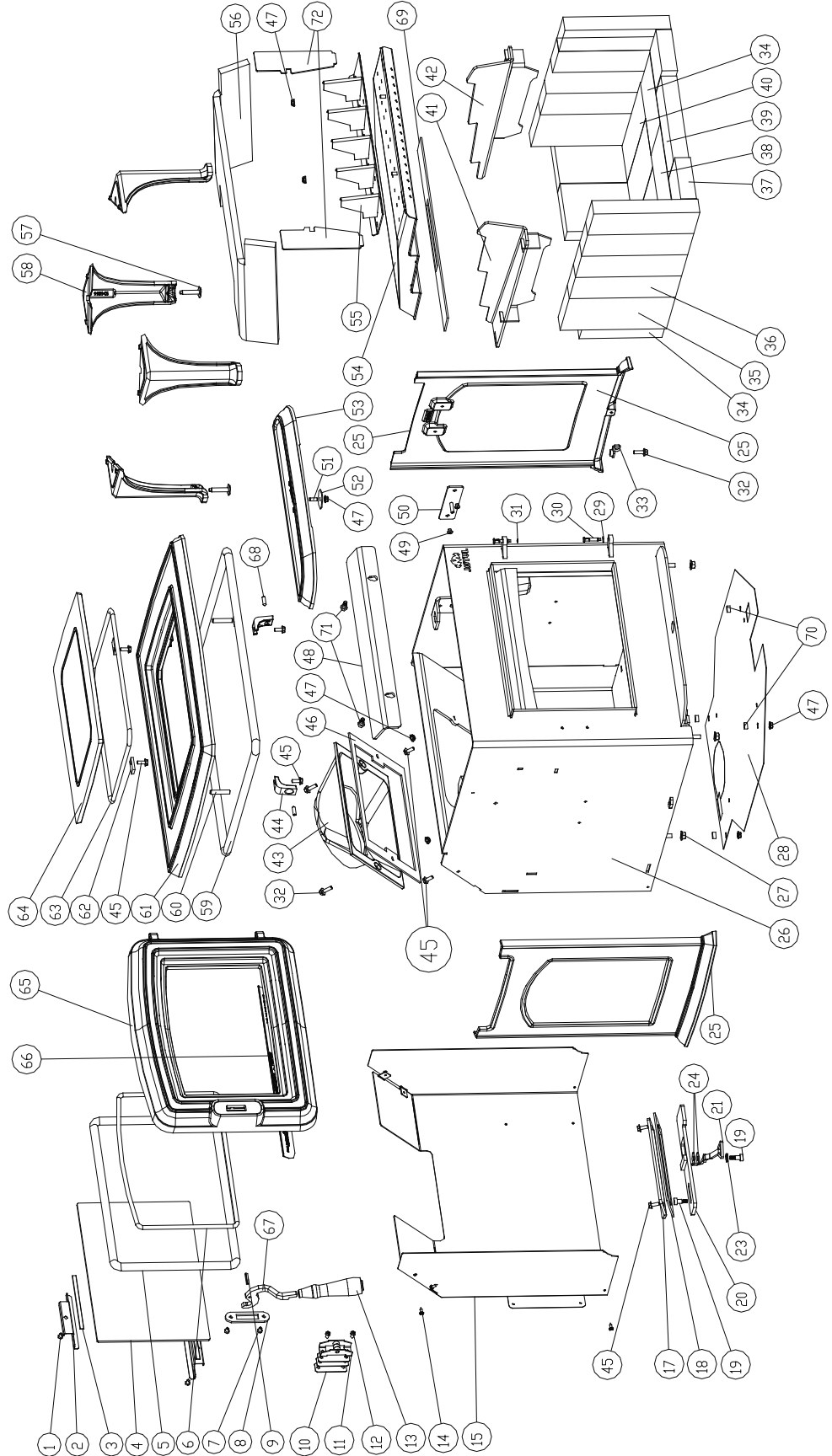


Figure 35. F 35 Illustrated Parts List

No.	Description	Part Number
1.	Screw, Button Head Socket - M6 x 10 Blk	117978
2.	Glass Clip, 5" (three)	225008
3.	Gasket, Flat, V125x8mm, Self Adhesive	127215
4.	Door Glass, Ceramic	224923
5.	Gasket, MD .625 Ø Fiberglass Rope	223858
6.	Gasket, LD .250 Ø Fiberglass Rope	200024
7.	Screw, Button Head Socket M6 x 10 mm Blk	117978
8.	Retainer, Front Door Latch	224159
9.	Roll Pin, Slotted 5mm x 24, steel	118251
10.	Shim, Latch Receiver	224734
11.	Latch Receiver, Front Door	224733
12.	Screw, Button Head Socket, M6 X 14, Blk	118215
13.	Front Door Tool	157635
14.	Screw, HWH SMA 8 x 1/2 SL Blk Oxide	117917
15.	Rear Shroud, F 35	22675092
17.	Inspection Cover, F 45	224924
18.	Gasket, Inspection Cover	224355
19.	Screw, Shoulder M6 x 10, Hex	117982
20.	Air Valve Weldment	223729
21.	Air Valve Handle Ass'y, Nickel Plated	157391
23.	Disc Spring,	118249
24.	Washer, Fender 8mm Zinc	117949
25.	Side Panel, Convection, MB D&T	158266
26.	Firebox assembly	226743
27.	Nut, M8, Serrated Flange, ANSI B 18.2	117881
28.	Heat shield, Bottom	22675192
29.	Washer, Thin Shim	117588
30.	Hinge pin, New Style, Nickel Plate	125960
31.	E Clip	118261
32.	Bolt, Hex Serrated Flange M6 x 20 Blk	117117
33.	Bracket, Bttm, Cast Convection Panel, 50 TL	224197
34.	Brick, Refractory, 6.625 x 4.50	224723
35.	Brick, Refractory, 8.5" x 4.5" x 1.25"	221751
36.	Brick, Refractory, 8.5" x 3" x 1.25"	221752
37.	Brick, Refractory, 4" x 3"	224175

No.	Description	Part Number
38.	Brick, Refractory, 4.50" x 9" x 1.25"	129082
39.	Brick, Refractory, 8" 2.5" x 1.25"	226871
40.	Brick, Refractory, 9" x 3.375" x 1.25"	222226
41.	Baffle Support, Left	226752
42.	Baffle Support, Right	226753
43.	Smoke outlet, MB	105055
44.	Bracket, Cast Top Retaining	103713
45.	Bolt, Hex Head Serr Flange M6x16 8.8 Blk	99625
46.	Gasket, Flue Collar, F35	226874
47.	Nut, M6 Serrated Flange plain	117968
48.	Deflector, Exhaust	226464
49.	Screw, Button Head Socket, M6 X 6, Blk	118170
50.	Bracket, Top, Cast Convection Panel	226582
51.	Screw, Socket Set, M6 x 16	118031
52.	Washer, Fender .250 x 1.500 dia.	118029
53.	Ash Lip, MB D&T	157645
54.	Baffle Weldment, F 35	226754
55.	Turbulator Assembly	226755
56.	Blanket, F35 Ceramic Fiber	226872
57.	Leveler Bolt, M8	118047
58.	Leg, Steel Stoves, MB, D&T	157346
59.	Gasket, MD, .625 Ø Fiberglass Rope	223858
60.	Set Screw, M8 x 40, Hex Socket, Black	118245
61.	Top Plate, Front, F 45, MB, D&T	157655
62.	Clip, Side	120120
63.	Gasket, LD 250 Fiberglass Rope	200024
64.	Top Cover, MB, D&T	157647
65.	Door, Front, w/Gasket, F 45, MB	157648
66.	Safety Warning Plate	226905
67.	Latch, Front Door w/ Roll Pin	224979
68.	Screw, Socket Set, M6 x 20	117835
69.	Gasket, Secondary Ledge	225021
70.	Spacer, .250 x .500	117994
71.	Bolt, shoulder, M6 x 6	118244
72.	Deflector, Side	226870