

## Jøtul GI 635 DV IPI Replacement Parts

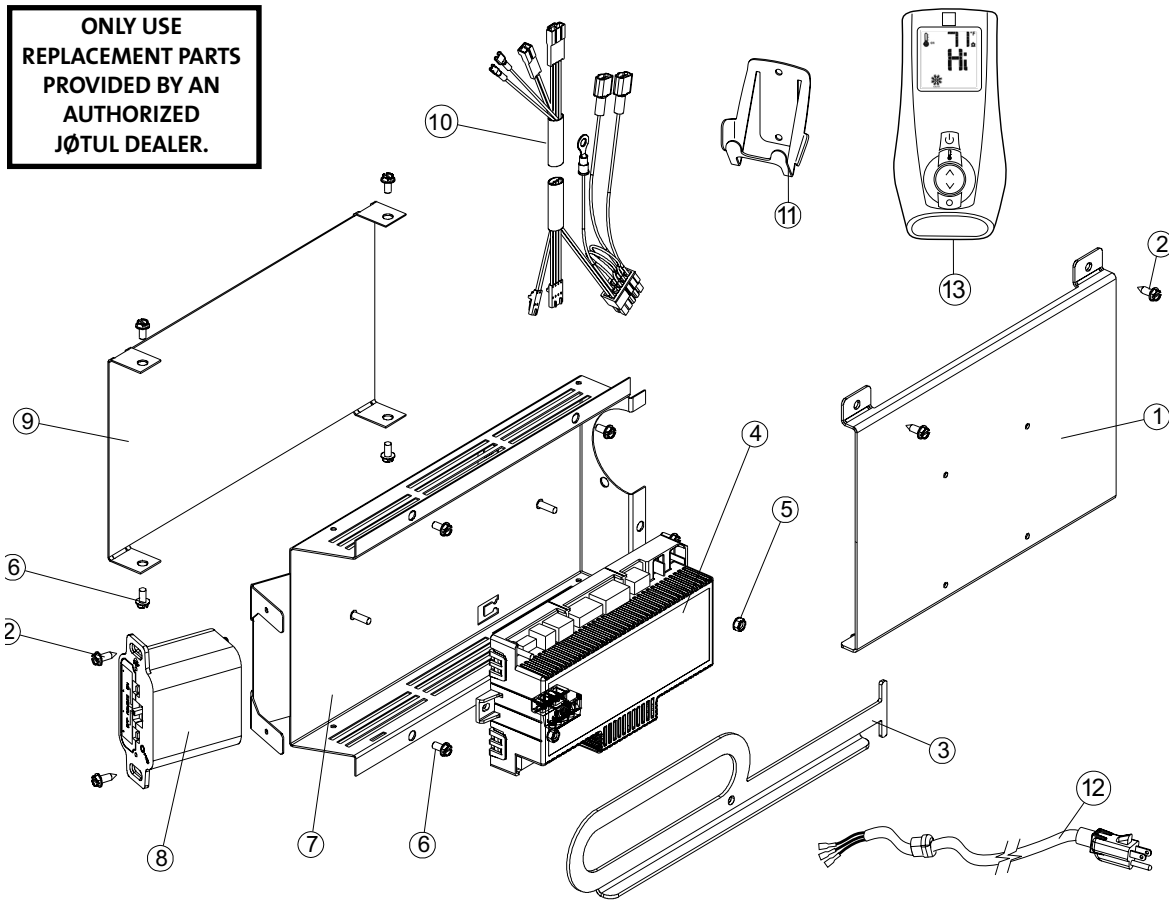
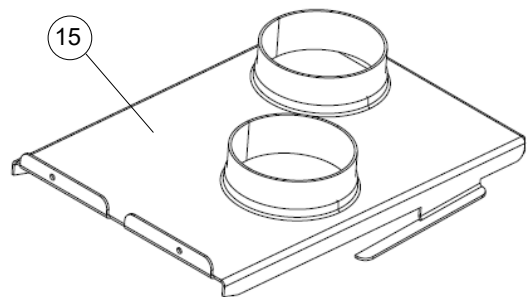


Figure 96.  
Controls components, right side compartment.

No.	Part Number	Description
1	225797	Controls, Skid Plate
2	117917	Screw, HWH SMA #8 x 1/2" SL Blk Oxide
3	225694	Latch Handle
4	157634	Replacement Proflame 2 Board w/ labels
5	118055	Kepnut, M4 Ext. Tooth Lock washer
6	117999	Screw, #8 x 3/8", SL SMA Type B, Zinc
7	225495	IFC Bracket
8	158006	Proflame 2 Battery Box
9	225497	IFC Heat Shield
10	225682	Ext. Wire Harness, Proflame 2, Split Flow
11	223951BKP	Replacement Remote Wall Bracket / Blk PC
12	157492	Replacement Power Cord, 18 AWG - 10 ft.
13	157495	Replacement Multifunction Remote Transmitter
14.	157907	Replacement Battery Wire Harness - not illustrated
15.	226086	Vent Adaptor Assembly



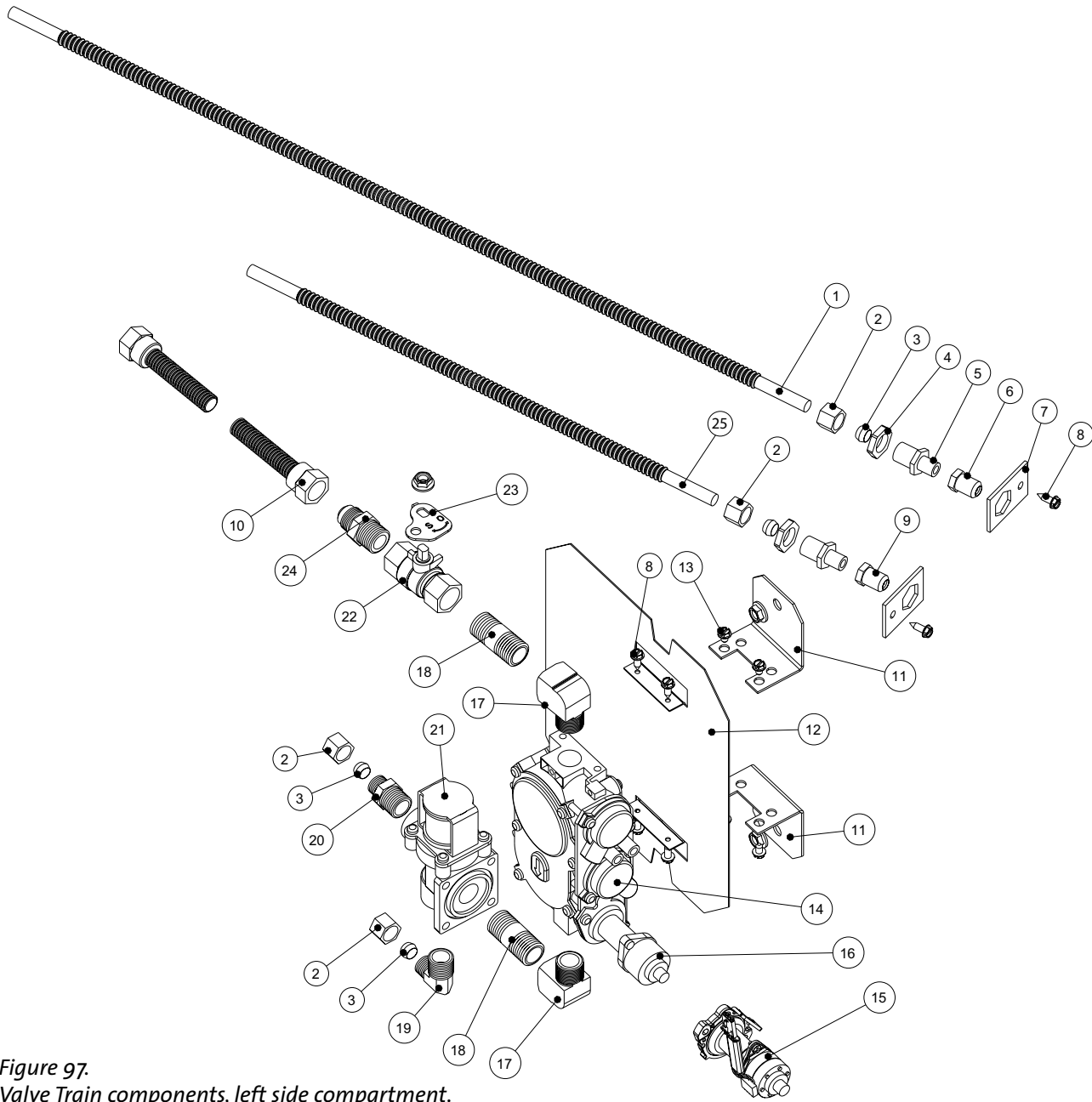


Figure 97.  
Valve Train components, left side compartment.

No.	Part Number	Description
1	225676	Flex Tube, Main Gas - 5/16" OD x 24"
2	129464	Compression Nut - 5/16"
3	129463	Compression Sleeve - 5/16"
4	129152	Jam Nut - Orifice Holder Assembly
5	220643	Orifice Holder, Straight
6	220976	Right Orifice, #47, NG (Rear Burner)
	221185	Right Orifice, 1.20 mm, LP (Rear Burner)
7	225663	Retainer, Orifice Holder
8	117917	Screw, #8 x 1/2" HWH SMA Black Oxide
9	225762	Left Orifice, 2.25 mm, NG (Front Burner)
	129804	Left Orifice, 1.40 mm, LP (Front Burner)
10	129707	Flex Tube w/ Connectors - 3/8" OD x 36"
11	225526	Valve Bracket

No.	Part Number	Description
12	225527	Valve Heat Shield
13	118214	Screw, #8 x 1/4" , Taptite, SLHWH, SZPL
14	225792	Valve, NG / 50% TD, Proflame w/ Stepper Motor
15	157821	Fuel Conversion Kit, Motorized / LP 50% TD
16	157822	Fuel Conversion Kit, Motorized / NG 50% TD
17	222941	Elbow, Brass, Street, 90° 3/8" NTP
18	223214	Nipple, Iron, 3/8" NTP x 1.5" Long
19	129129	Elbow, 90° Brass, 3/8" NTP to 5/16" Dia. Compression
20	220044	Adaptor, Brass, 3/8" NPT to 5/16" Dia. Compression
21	157972	Proflame Splitflow Solenoid Valve
22	222407	Valve, Straight 3/8" FIP x 3/8" FIP
23	225498	Valve Handle
24	223215	Adaptor, Straight, Brass, 3/8" NTP x 3/8" Flare
25	129390	Flex Tube, Main Gas - 5/16" OD x 14"

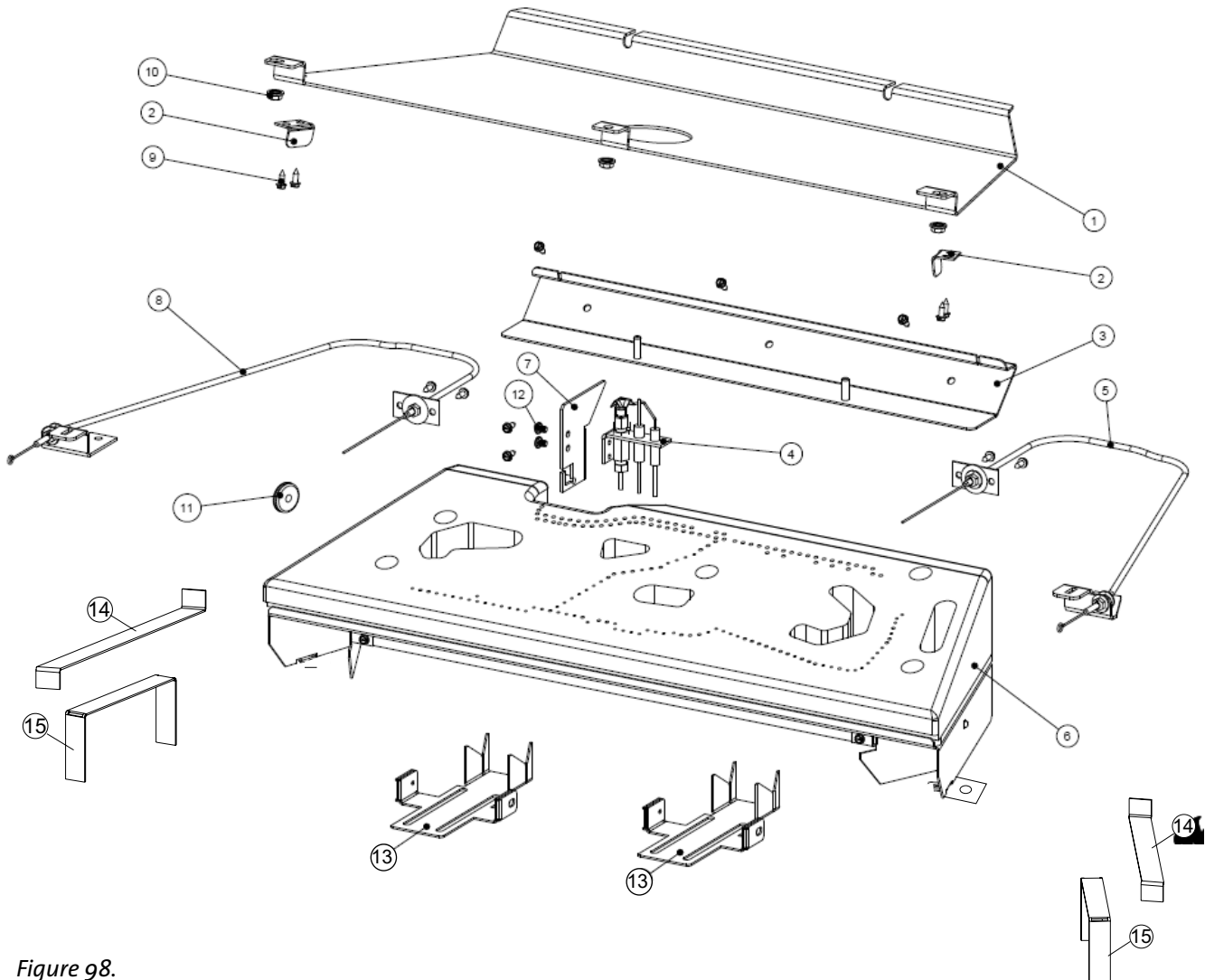


Figure 98.  
Internal Firebox components..

No.	Part Number	Description
1	22549092	Baffle
2	225693	Side Panel Retainer
3	22551192	Rear Log Support
4	225681	Pilot Assembly / Integrated Dual Fuel
5	157831	Right Cable Assembly
6	157744	Burner Assembly
7	225648	Pilot Bracket
8	157830	Left Cable Assembly
9	117917	Screw, #8 x 1/2" HWH SMA
10	117968	Hex Nut, M6 Serrated Flange
11	225525	Pilot Grommet, Silicone
12	118279	Screw, 10-32 x 1/4" Pan Head
13	225970	Air Shutter Tray (Handle)
14	22592992	Glass Support Shelf, 2
15	22592292	Brick Panel Shelf, 2

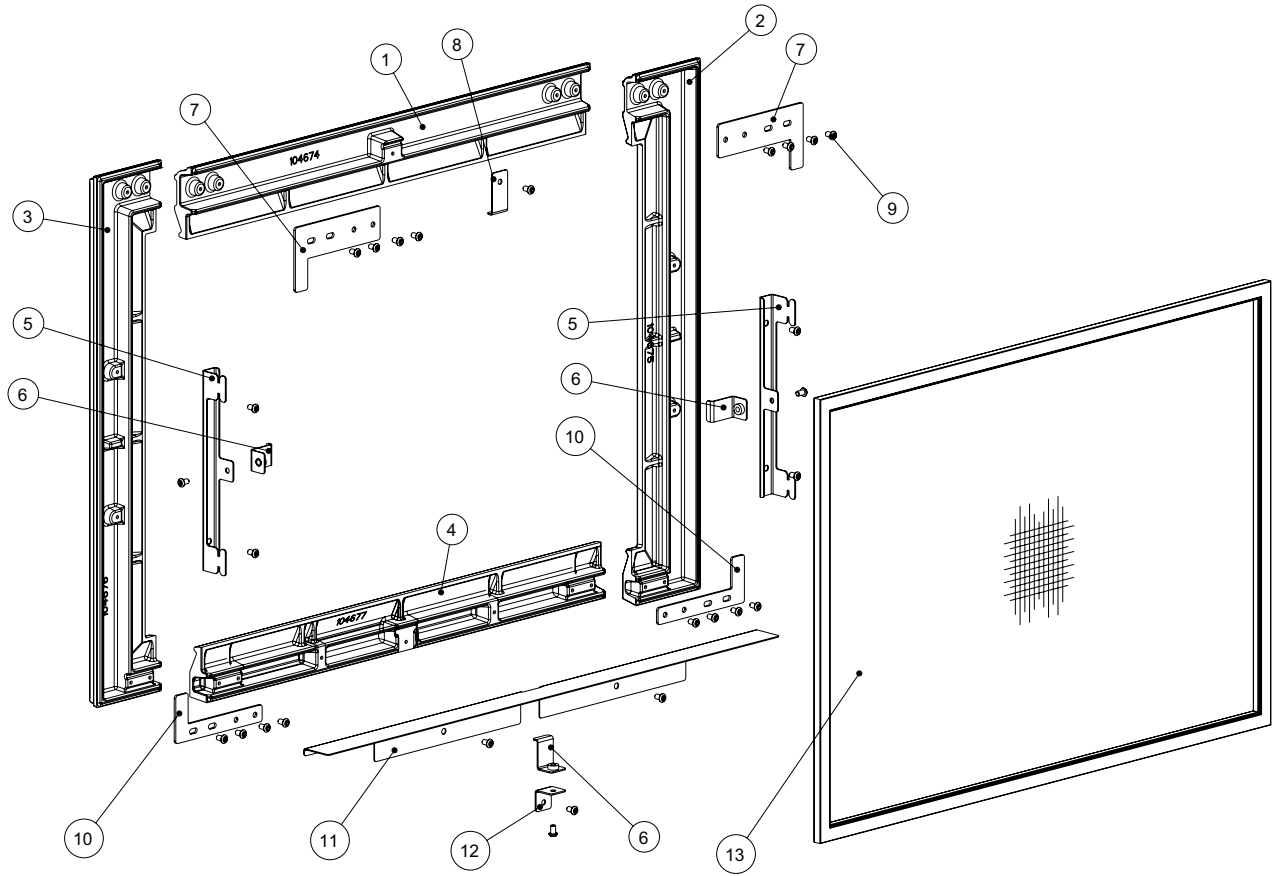
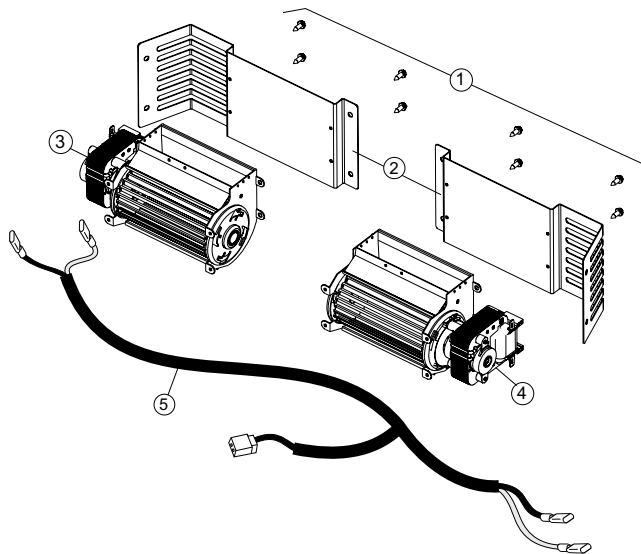


Figure 99. GI 635 Cast Iron and Steel Overlay and Safety Screen Assembly

No.	Part Number	Description
1	10467492	Replacement Overlay Frame, Top, MB
	157847	Replacement Overlay Frame, Top, BRM
2	10467592	Replacement Overlay Frame, Left, MB
	157848	Replacement Overlay Frame, Left, BRM
3	10467692	Replacement Overlay Frame, Right, MB
	157849	Replacement Overlay Frame, Right, BRM
4	10467792	Replacement Overlay Frame Bottom, MB
	157850	Replacement Overlay Frame Bottom, BRM
5	22578392	Hanging Bracket (2)
6	22578592	Adjustable Screen Retainer (3)
	22585692	Adjustable Screen Retainer, Enamel (3)
7	225786	Top Corner Bracket, (2)
	225851	Top Corner Bracket, Enamel
8	22578492	Top Screen Retainer
9	117978	Screw, M6 x 10 Button Head (29)
10	225787	Bottom Corner Bracket (2)
	225852	Bottom Corner Bracket, Enamel (2)
11	22578892	Bottom Shade
12	22578292	Bulkhead Screen Adjustor
13	225672	Safety Screen Frame

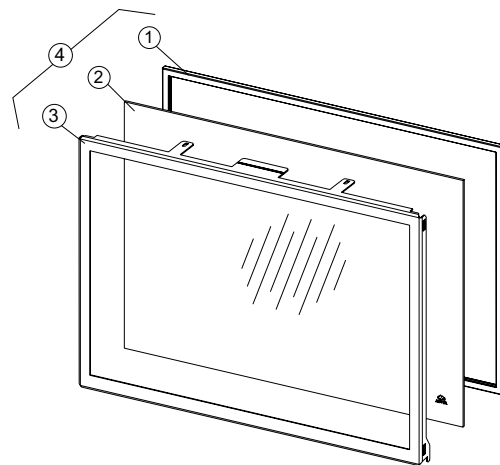
No.	Part Number	Steel Overlay Parts
	225988BKP	Replacement Steel Overlay, Black Powder Coat
	225988BZP	Replacement Steel Overlay, Bronze Powder Coat
	225988JIP	Replacement Steel Overlay, Jotul Iron Powder Coat
5	225989	Hanging Bracket
	225991	Screen Retainer, Top
6	225992BKP	Adjustable Screen Retainer, Black Powder Coat
	225992BZP	Adjustable Screen Retainer, Bronze Powder Coat
	225992JIP	Adjustable Screen Retainer, Jotul Iron Powder Coat
11	225993	Bottom Shade
13	225672	Screen, Quanex InvisiMesh , Cast Iron Overlay
	225987	Screen, Quanex InvisiMesh , Steel Overlay

Figure 100. Blower Assembly



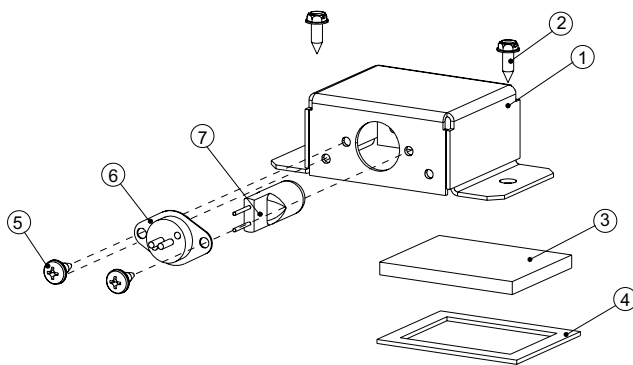
No.	Part Number	Description
1	117917	Screw, HWH SMA 8 x 1/2 SL Blk Oxide
2	225494	Blower Bracket, Left and Right
3	157964	Blower, 95 cfm Crossflow, Left
4	157963	Blower, 95 cfm Crossflow, Right
5	157832	Blower Wire Harness

Figure 102. Glass components.



No.	Part Number	Description
1	129124	Gasket, Fiber Glass w/ Graphite, .25" x 1.25", 8.5 ft.
2	157834	Glass Panel w/ Gasket
3	22548292	Glass Frame, Matte Black
4	157834	Replacement Frame w/ Glass Assembly (inc. 1,2,3)

Figure 103. Lamp Assembly



No.	Part Number	Description
1	225491	Light Fixture, Matte Black
2	117917	Screw, HWH SMA #8 x 1/2" SL Blk Oxide
3	222974	Glass, Ceramic, Light Fixture
4	222977	Gasket, Light Fixture
5	117967	Screw, Pan Head, SMA #7 x 3/8"
6	157601	Replacement Holder Harness Connector
7	222943	Light Bulb, 130V, 50 Watt