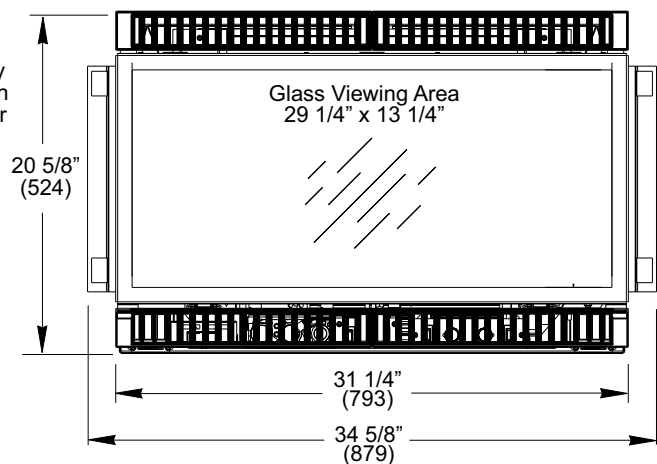
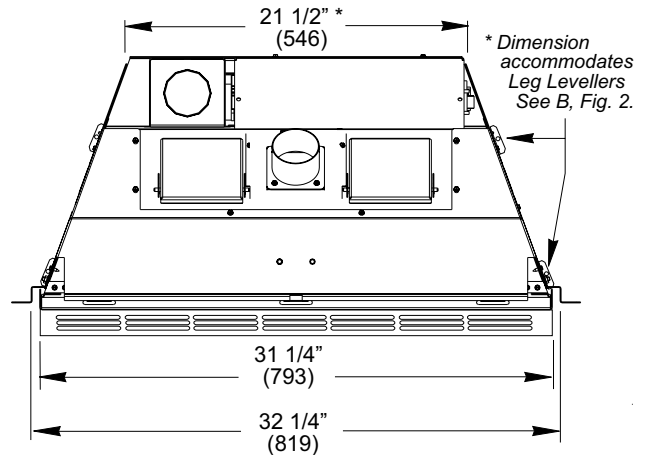
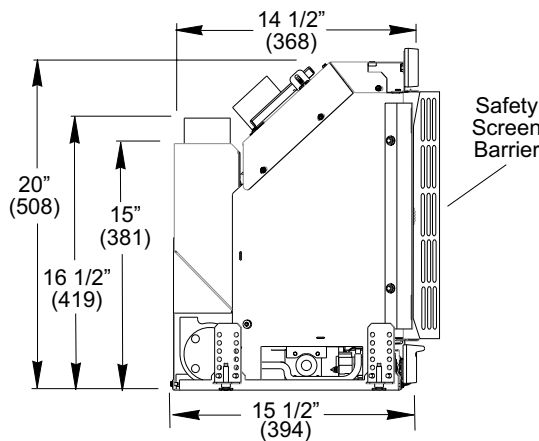




Fireplace Insert Specifications for the GI 450 DVII Katahdin

This guide is only intended for use on-site as a quick reference tool. Final installation must conform to the requirements specified in the Installation Manual included with each unit and also available at www.jotul.us.

Fig. 1.



Minimum Fireplace Dimensions

- A - Inside Height = 17" (431mm)
- B - Inside Width = 21 1/2" (533mm)(at 15" of depth)
20 1/2" with removal of leg leveller brackets
- C - Inside Depth = 15" (381mm)
- D - Opening Height = 20" (508mm)
- E - Opening Width = 32 1/2" (826mm)

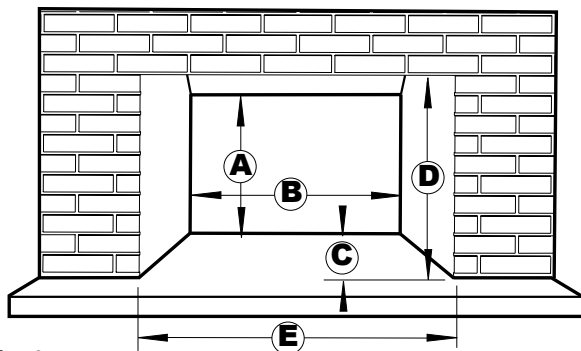


Fig. 2.

Maximum Fireplace Opening

Cast Iron Surround or Simple Surround:

Will cover a maximum fireplace opening
27 1/2" high x 39" wide. (698mm x 991mm)

The overall Standard Surround dimensions are
28" high x 40" wide. (711mm x 1016mm)

Cast Iron Surround or Simple Surround with 2" Riser Bar:

Will cover a maximum fireplace opening
29 1/2" high x 39" wide (749mm x 991mm)

The overall Standard Surround dimensions with the Riser Bar
are 30" high X 40" wide. (762mm x 1016mm)

Optional Wide Surround (must be used with Cast Iron Surround):

Will cover a maximum fireplace opening
47" wide X 31 1/2" high. (1194mm x 800mm)

The overall Wide Surround dimensions are
47 3/4" wide. x 34" high. (1213mm x 864mm)

NOTE: If the optional Wide Surround is used without the Riser Bar, 2" (51mm) of material must be removed from the bottom of each leg. See instructions on page 33 of the installation manual for details.

Make a Footprint Template - GI 450

Materials:

Foam Core or Cardboard Straight Edge
Utility Knife Tape Measure Marker

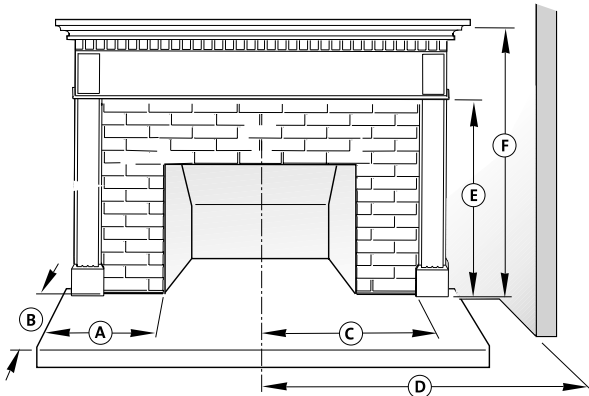
1. Trim the board to a rectangle measuring 32 1/2" x 15". (826mm x 381mm)
2. Draw a centerline at 16 1/4" (413mm).
3. Mark the rear edge at 10 1/4" (260mm) to the left and right of center.
4. Draw a cut line from the rear mark to the front corner of each side.
5. Trim the sides along the cut lines.
6. Tape this instruction sheet to the template for future reference.

Hearth Requirements

Hearth protection in front of the unit must be composed of masonry material extending 8" (203mm) to each side of the fireplace opening and 16" (406mm) forward from the fireplace facing material.

Raised Hearth: A raised masonry hearth that is at least 6" (152mm) high must extend a minimum 12" (305mm) forward from the fireplace facing material.

Fig. 3.



A: Hearth Protection Width

- Unit flush or raised: 8" (203mm) from fireplace opening

B: Hearth Protection Depth

- Unit flush with hearth: 16" (406mm)
- Unit raised min. 6" off floor: 12" (309mm)

C: Side Trim Clearance

- Up to 6" thick, from fireplace center line: 20 1/2" (521)

D: Side Room Wall Clearance

- From the fireplace center line: 24 1/2" (622mm)

E: Top Trim Clearance from hearth: 41" (1041mm)

F: Mantel Clearance from hearth: See fig. 4.

Clearance Requirements

The following clearances and hearth specifications are the minimum requirements for installing this appliance into a solid fuel-burning fireplace.

A combustible surface is anything that can burn (i.e. sheet rock, wallpaper, wood, fabrics etc.). These surfaces are not limited to those that are visible and also include materials that are behind non-combustibles.

If you are not sure of the combustible nature of a material, consult your local fire officials. Remember, "Fire Resistant" materials are considered combustible; they are difficult to ignite, but will burn. Also, "fire-rated" sheet rock is considered combustible.

Always maintain the proper clearances to allow for the flow of ventilation air around the insert.

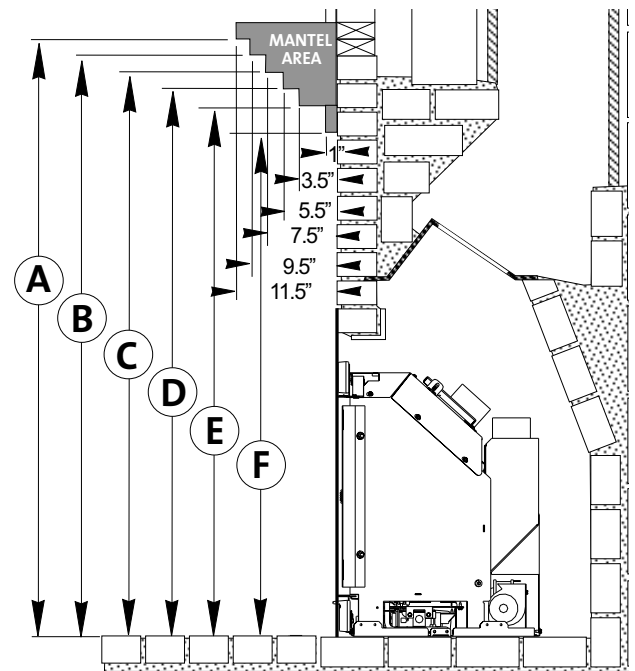


Fig. 4.

Mantel and Top Trim Clearances

Measure clearances from the finished floor of the fireplace opening.

A:	48 1/2"	(1232)
B:	47"	(1194)
C:	45 1/2"	(1156)
D:	44"	(1118)
E:	42 1/2"	(1080)
F:	41"	(1041)

NOTE: THESE CLEARANCES MAY BE REDUCED BY 2" IF THE OPTIONAL RISER BAR IS NOT USED.