

GF 500 DV IPI Illustrated Parts Breakdown

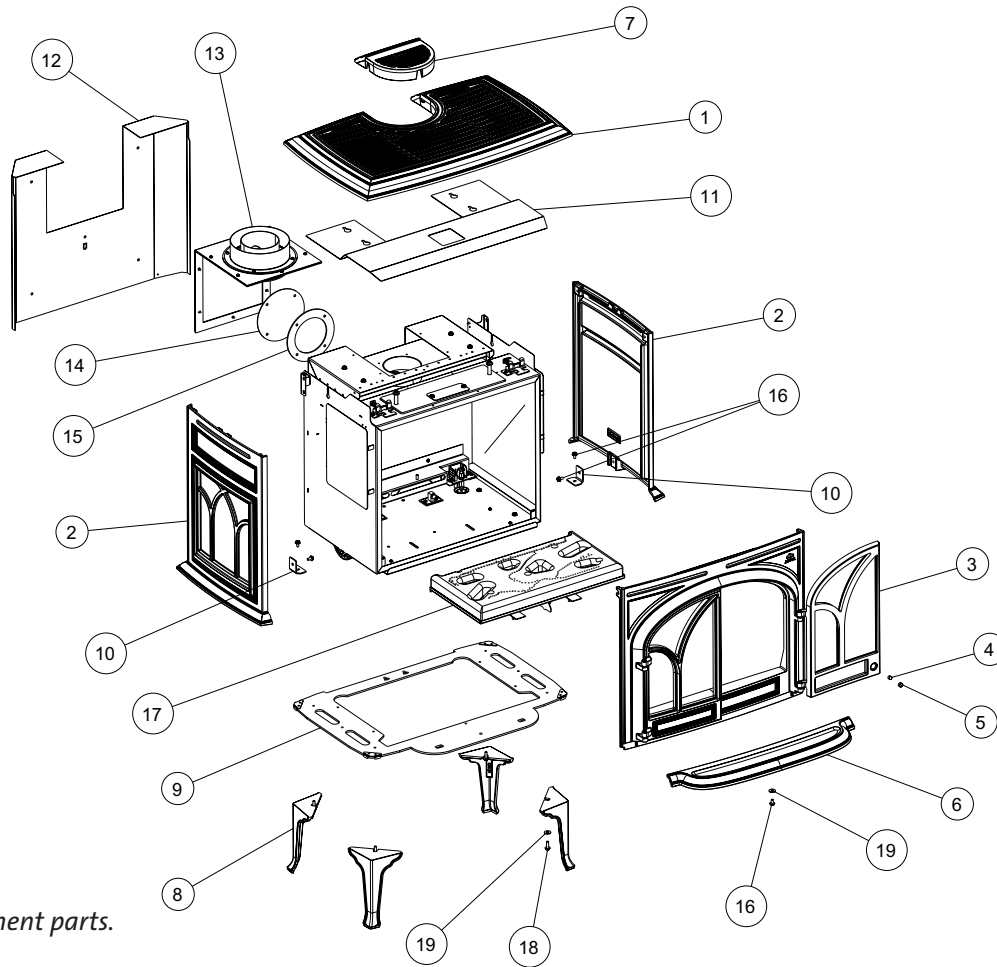


Figure 77.
Exterior replacement parts.

Cast Iron Parts	Matte Black Paint	Brown Majolica Enamel
1. Top Plate	10464892	10464847
2. Side Plate	10464992	10464947
3. Front Assembly *	15770392	157704
6. Ash Lip	10465392	10465347
7. Top Plate Insert	10465492	10465447
8. Leg, 8"	10192592	10192547

* Front Assembly includes:
Front Plate, Left & Right Doors, and Hinge Pins

No.	Part No.	Description
4.	225330	Door Magnet
5.	224909	Magnet Cap, Hi-temp Vinyl
9.	225453	Base Plate
10.	225601	Bracket, Side to Base
11.	22557092	Top Convection Shroud
12.	22546792	Rear Shroud
13.	157712	Vent Adaptor
14.	225459	Exhaust Cover Plate
15.	225530	Exhaust Gasket, 4"
16.	117130	Bolt, M6 x 12 mm, Hex Flange
17.	157707	Burner Assembly
18.	117117	Bolt, M6 x 20 mm, Hex Flange
19.	120004	Fender Washer, M6

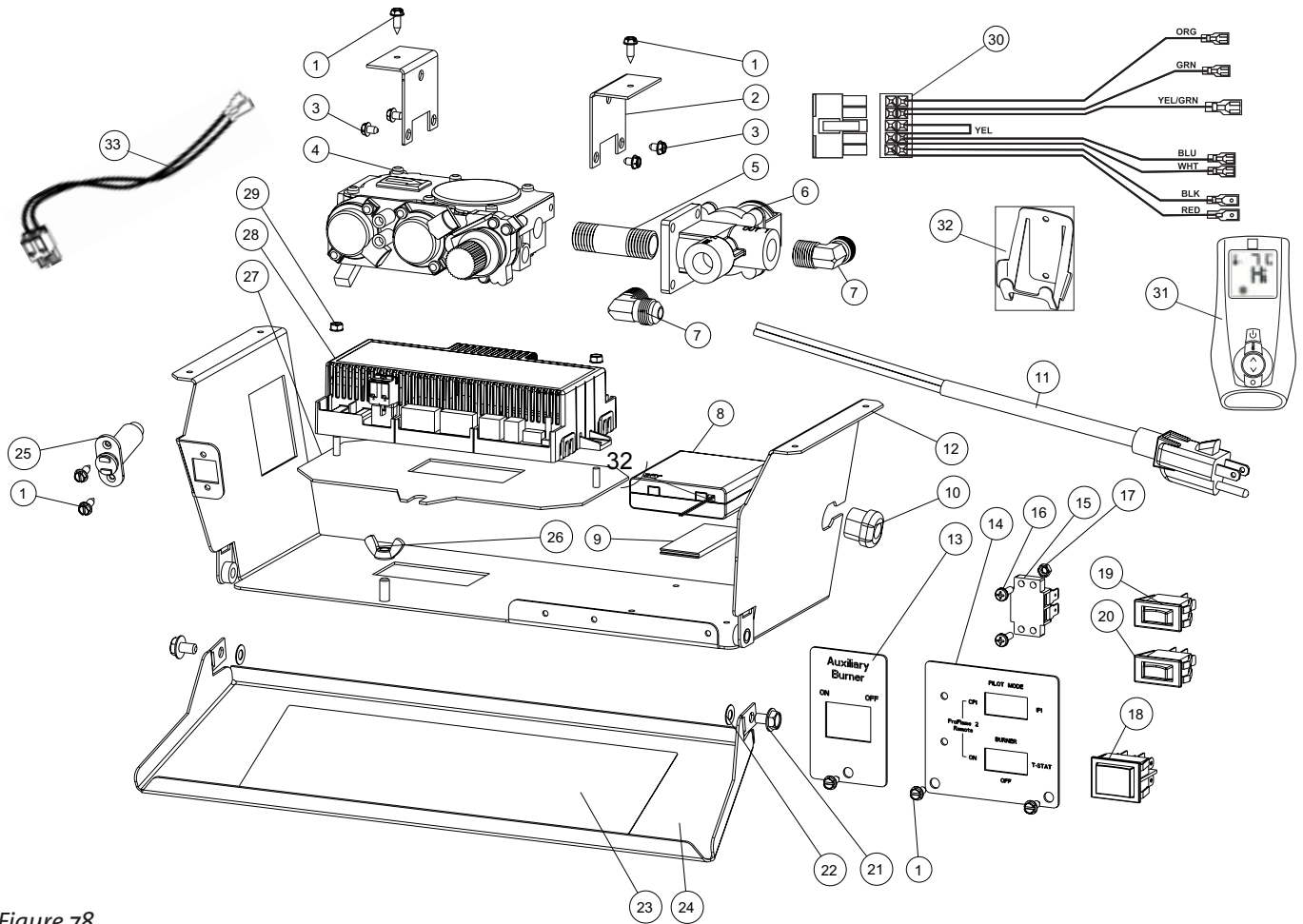


Figure 78.
GF 500 DV IPI Valve Assembly and IFC Components.

No.	Part No.	Description
1.	117917	Screw, #8 x 1/2" SL Blk Oxide
2.	224904	Bracket Valve
3.	118214	Screw, #8 x 1/4" Taptite
4.	223980	Valve, NG - Proflame, Manual, 30% TD
5.	222406	Nipple, Iron, 3/8" NPT x 2"
6.	222923	Proflame Splitflow Solenoid Valve
7.	222292	Elbow, 90° Brass, 3/8" NPT x 3/8" dia. flare
8.	157265	Replacement IPI Battery Box (4, AA)
9.	118257	Hook & Loop tape, 1" wide, self-adhesive
10.	117951	Wire Strain Relief
11.	157492	Replacement Power Cord Ass'y. IPI
12.	22545892	Control Bracket, GF 500 IPI
13.	225533	Aux. Burner Faceplate, GF 500 IPI
14.	224781	Main Control Faceplate, IPI Stoves
15.	129154	Terminal Block Bracket, 2 pole, 77 Series
16.	117921	Screw, pan hd, Ph M4 x 12mm, 8.8 Blk

No.	Part No.	Description
17.	117922	Nut, Hex M4 DIN 934 plain
18.	225532	Switch, Rocker, DPDT, Momentary, Center Off
19.	120517	Switch, Rocker, SPST, Black, Plain
20.	220703	Switch, Rocker, SPDT, Center Off, Black, Plain
21.	9962	Bolt, Hex Cap, M6 x 10 Ser. Flange
22.	117588	Washer, Hinge - M6 x 12
23.	224952	Instruction Label, Control Door
24.	22545792	Control Door
25.	224145	Magnetic Catch
26.	117975	Wing Nut, M6, Zinc
27.	224911	IFC Mounting Plate
28.	157634	Replacement Proflame 2 Control Board
29.	118055	Keypnut, M4, Ext. Tooth, Lockwasher
30.	157711	Replacement IPI Wire Harness - Split Flow
31.	157495	Replacement Multifunction Remote / Black
32.	223951BKP	Replacement Remote Wall Bracket / Black PC
33.	157494	Replacement Burner Control Wire Harness

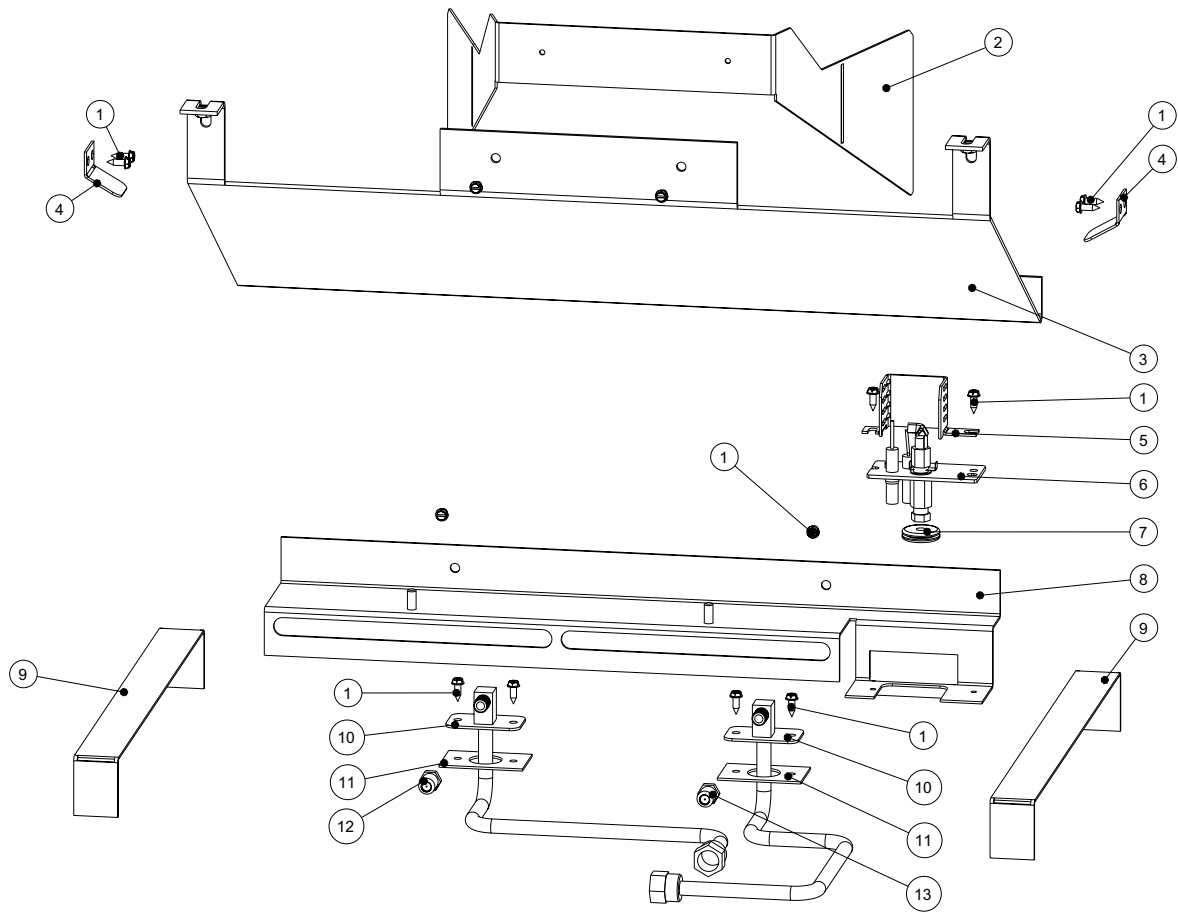


Figure 79.
GF 500 DV IPI Pilot and Burner components.

No.	Part No.	Description
1.	117917	Screw 8 x 12 1/2 SL Blk Oxide
2.	225528	Exhaust Baffle Wing
3.	225456	Exhaust Baffle
4.	224931	Brick Panel Retainer
5.	225060	Pilot Shield
6.	224785	Pilot Assembly, Dual Fuel Flame Hood
7.	225525	Grommet, Silicone - Pilot Plug
8.	225470	Burner / Pilot Ass'y. Skirt
9.	225558	Brick Panel Shelf
10.	223231	Orifice Holder, Drop-in Assembly
11.	222280	Gasket, Drop-in Orifice Holder
12.	225536	Orifice, 2.25 mm / Left, Rear Flames - NG
	129804	Orifice, 1.40 mm / Left, Rear Flames - LP
13.	220976	Orifice, #47 / Right, Front Flames - NG
	221185	Orifice, 1.20 mm / Right, Front Flames - LP

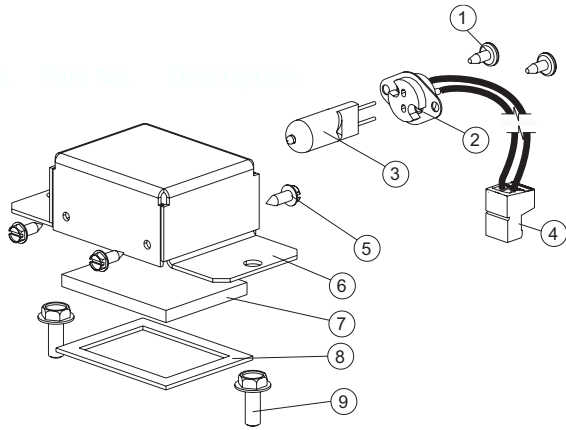


Figure 80.
GF 500 DV IPI Accent Lamp Assembly

No.	Part No.	Description
1.	117967	Screw, Pan Head #7 x 3/8 PH Zinc
2.	157601	Replacement Lamp Wire Harness
3.	222943	Light Bulb, 130 Volt, 50 Watt
4.	224796	Connector, 2 pin, IPI Accessories
5.	117917	Screw, 8 x 1/2 SL Blk Oxide
6.	22476392	Light Box, Delay Door Mount
7.	222974	Glass, Ceramic, Light Fixture
8.	222977	Gasket, Light Cover
9.	99625	Bolt, Hex Head Serr Flange M6 x 16mm 8.8 Blk

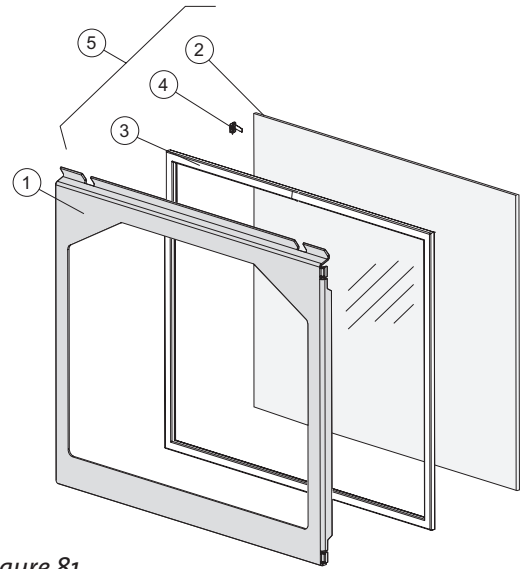


Figure 81.
GF 500 DV IPI Glass Assembly

No.	Part No.	Description
1.	22545492	Glass Frame
2.	129124	Gasket, Tadpole - .25 dia. x 1.25", 6 ft.
3.	225476	Glass Panel, Ceramic
4.	220042	Replacement Glass Clips, 4
5.	157710	Replacement Glass Kit, GF 500 DV IPI

GF 500 DV IPI Accessories

Description	Part No.
Premium Upgrade Kit / NG	157498
Premium Upgrade Kit / LP	157499
Proflame 2 Remote Control / Multifunction	157495
Blower Kit w/ Multifunction Remote	157470
Accent Lamp (requires Multifunction Remote)	157469
Flame Control Kit / NG (requires Multifunction Remote)	157496
Flame Control Kit / LP (requires Multifunction Remote)	157497
Wall Thermostat	750003
Brick Panel Kit	157697
Short Leg Kit / Matte Black	350074
Short Leg Kit / Brown Majolica Enamel	351147
Leg Leveler	156096
Fuel Conversion Kit, Propane	157693
Fuel Conversion Kit, Natural Gas	157694
High Altitude Adjustment Kit / LP	157695
High Altitude Adjustment Kit / NG	157696
Snorkel Insulation Blanket	225606

Replacement Log Set Parts / See pg. 25

No.	Part No.	Description
1	225587	Rear Log
2.	225585	Lower Left Log
3.	225589	Lower Right Log
4.	225586	Upper Left Log
5.	225588	Upper Right Log
6.	225590	Small Front Log
7.	225451	Ember Stones
8.	157259	Rock Wool, 1 oz.
6.	157706	Complete Log Set

Replacement Double-sided Brick Panel Parts / See pg. 22

1	225594	Rear Panel
2.	225595	Baffle Panel
3.	225596	Side Panel, A1
4.	225597	Side Panel, 2A

Mobile Home Installation

The GF 500 DV IPI can be installed for use in a mobile home in the U.S. and Canada provided:

1. The stove is secured to the floor of the mobile home. Use Jøtul Floor Bracket Kit #750304.
2. Provision must be made to secure an electrical ground between the stove and the mobile home chassis.
3. The stove is installed in accordance with Title 24 CFR, Part 3280- Manufactured Home Construction and Safety Standard, in the U.S. In Canada, comply with CSA Z240.4, Gas Equipped Recreational Vehicles and Mobile Housing.
4. Always contact your local officials about installation restrictions and requirements in your area.

THIS APPLIANCE MAY BE INSTALLED AS AN OEM INSTALLATION IN A MANUFACTURED (MOBILE) HOME AND MUST BE INSTALLED IN ACCORDANCE WITH THE MANUFACTURER'S INSTRUCTIONS AND THE MANUFACTURED HOME CONSTRUCTION AND SAFETY STANDARD, TITLE 24 CFR, PART 3280. THIS APPLIANCE IS ONLY FOR USE WITH THE TYPE OF GAS THAT IS INDICATED ON THE STOVE'S RATING PLATE. A GAS CONVERSION KIT IS PROVIDED WITH THE GF 500 DV IPI GAS STOVE.

THIS APPLIANCE MAY BE INSTALLED IN AN AFTERMARKET PERMANENTLY LOCATED, MANUFACTURED (MOBILE) HOME, WHERE NOT PROHIBITED BY LOCAL CODES.

CET APPAREIL PEUT ETRE INSTALLE DANS UN MAISON PREFABRIQUEE (MOBILE) DEJA INSTALLEE A DEMEURE SI LES REGLEMENTS LOCAUX LE PERMETTENT. CET APPAREIL DOIT ETRE UTILISE UNIQUEMENT AVEC LES TYPES DE GAS INDIQUES SUR LA PLAQUE SIGNALETIQUE. NE PAS L'UTILISER AVEC D'AUTRES GAS SAUF SI UN KIT DE CONVERSION CERTIFIE EST INSTALLE.