

GF 500 DV Illustrated Parts Breakdown

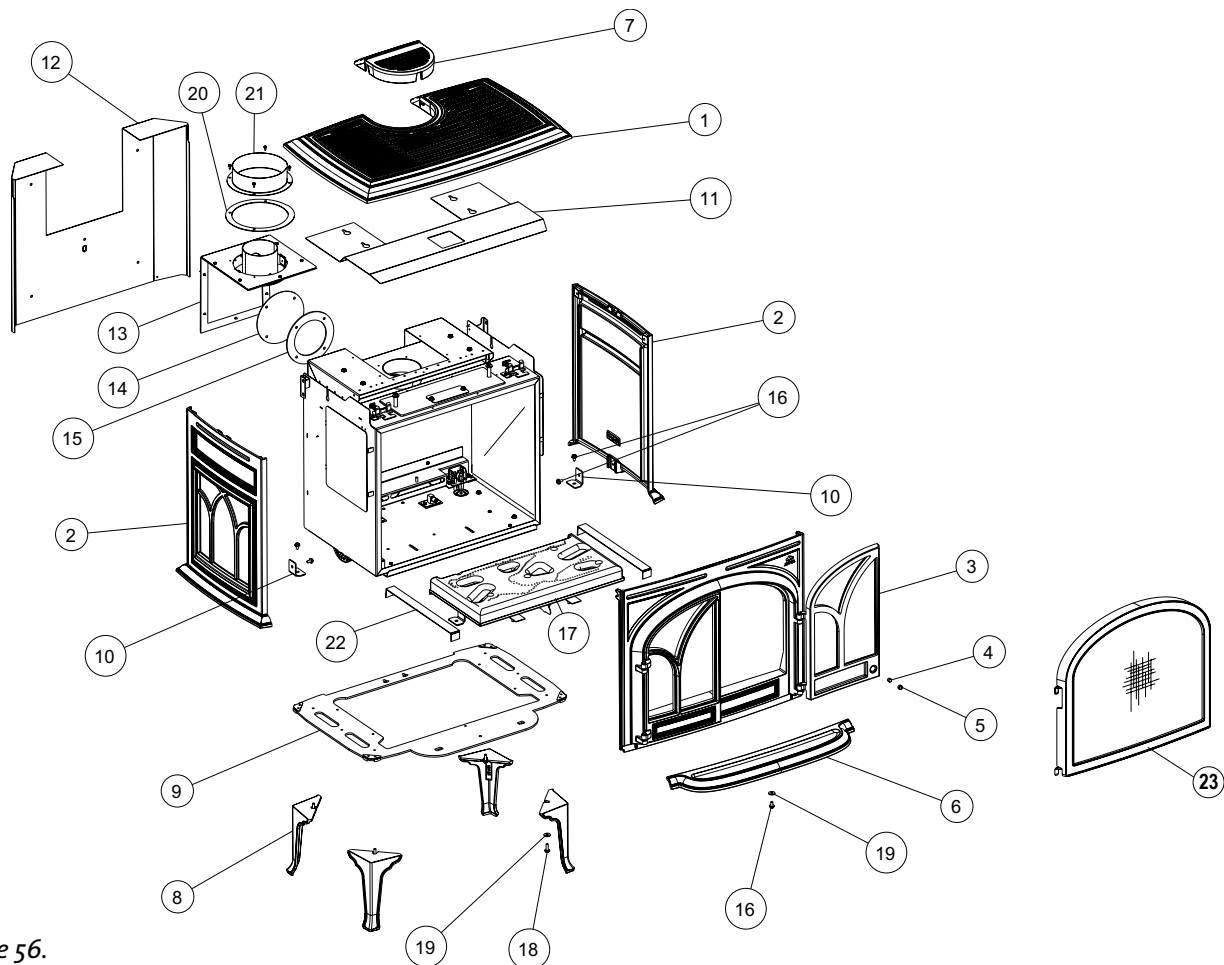


Figure 56.
Exterior replacement parts.

Cast Iron Parts	Matte Black Paint	Brown Majolica Enamel
1. Top Plate	10464892	10464847
2. Side Plate	10464992	157747
3. Front Assembly *	15770392	157749
6. Ash Lip	10465392	157748
7. Top Plate Insert	10465492	10465447
8. Leg, 8"	10192592	10192547

* Front Assembly includes:
Front Plate, Left & Right Doors, and Hinge Pins

No.	Part No.	Description
4.	225338	Door Magnet
5.	224909	Magnet Cap, Hi-temp Vinyl
9.	225453	Base Plate
10.	225601	Bracket, Side to Base
11.	22557092	Top Convection Shroud
12.	22584192	Rear Shroud
13.	157712	Vent Adaptor Assembly
14.	225459	Exhaust Cover Plate
15.	225530	Exhaust Gasket, 4"
16.	117130	Bolt, M6 x 12 mm, Hex Flange
17.	157707	Burner Assembly
18.	117117	Bolt, M6 x 20 mm, Hex Flange
19.	120004	Fender Washer, M6
20.	129118	Gasket, Vent Adaptor Collar - 6.625" dia.
21.	129322	Vent Adaptor Collar - 6.625" dia.
22.	225558	Side Brick Panel Support, 2
23.	157691	Safety Screen Barrier
24.	225474	Silicone Cap, Barrier Brackets - not illustrated

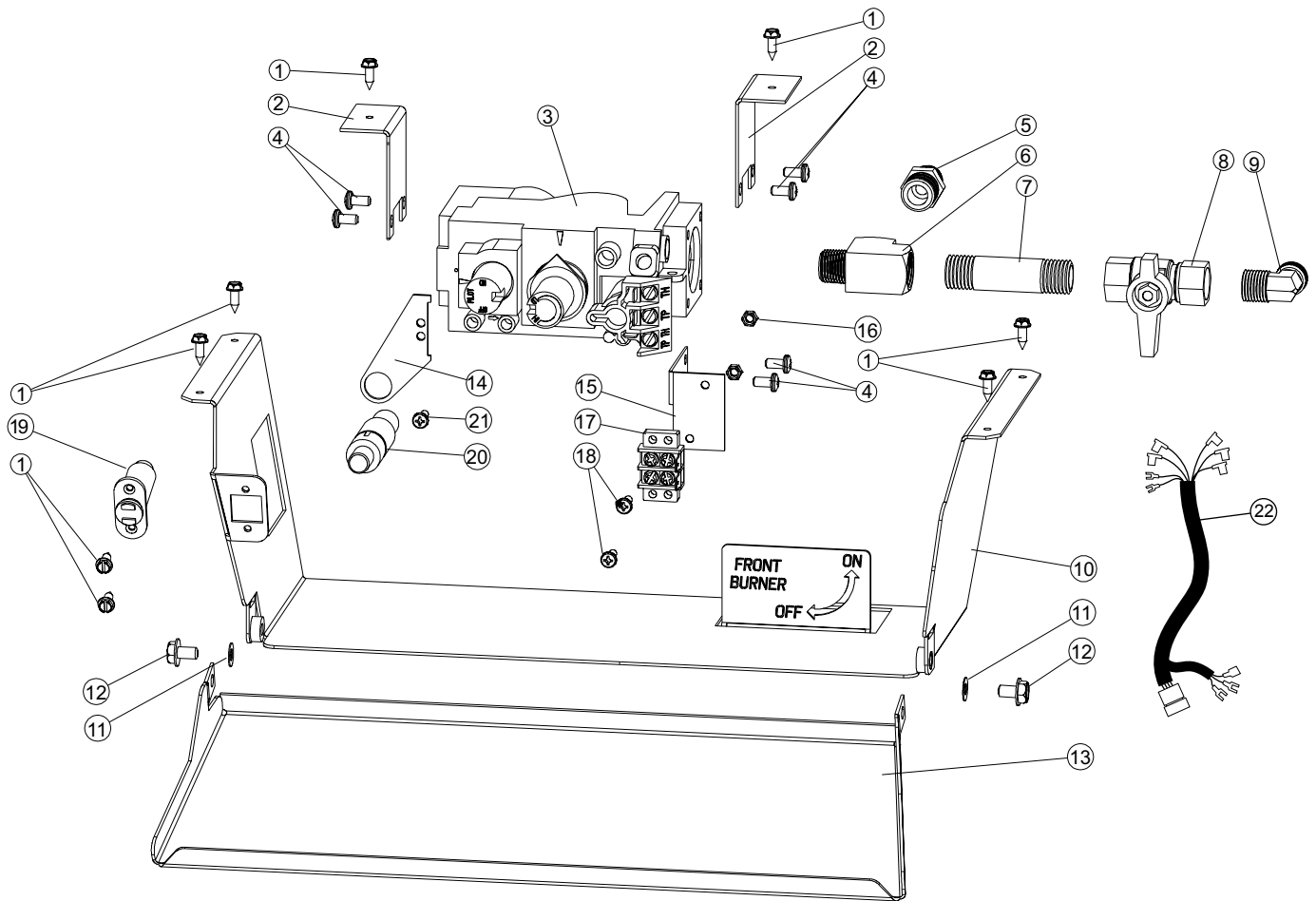


Figure 57.
GF 500 DV Millivolt Valve components.

No.	Part No.	Description
1.	117917	Screw, #8 x 1/2" SL Blk Oxide
2.	225838	Valve Bracket
3.	222263	Valve, NG 50% TD, 3.8" WC
4.	117911	Screw, Pan Hd 10-32 x 3/8"
5.	223215	Adaptor, 3/8 NPT x 3/8 flare
6.	225866	Brass Tee, F x F x M, 3/8 NPT
7.	222406	Nipple, 3/8 NPT x 2.5"
8.	222407	Shut-off Valve, 3/3 FIP x 3/8 FIP
9.	222292	Elbow, 3/8 NPT x 3/8 Flare
10.	22583992	Control Bracket, MB
11.	117588	Washer, Hinge - 12mm OD x 6mm ID

No.	Part No.	Description
12.	9962	Bolt, Hex M6 x 10 DIN 933 Blk
13.	225457	Control Door
14.	3902576	Ignitor Bracket
15.	220614	Terminal Block Bracket
16.	117922	Nut, M4 DIN 934 Plain, 1
17.	129154	Terminal Block, 2 pole
18.	117921	Screw, Ph Pan Hd, M4 x 12 Blk
19.	224145	Magnetic Catch
20.	3902573	Piezo Ignitor Button
21.	117920	Screw, Ph Pan Hd, M4 x 8, zinc
22.	156034	Replacement Millivolt Wire Harness

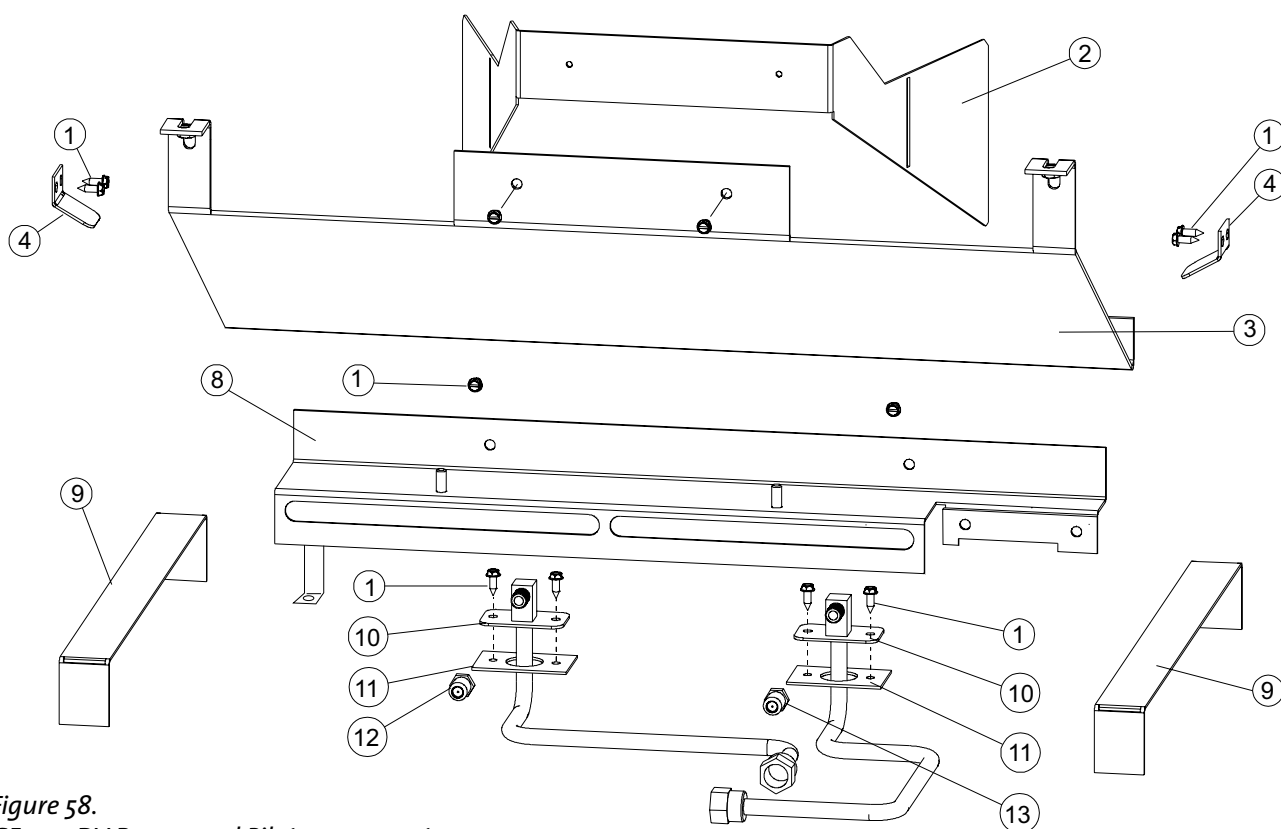
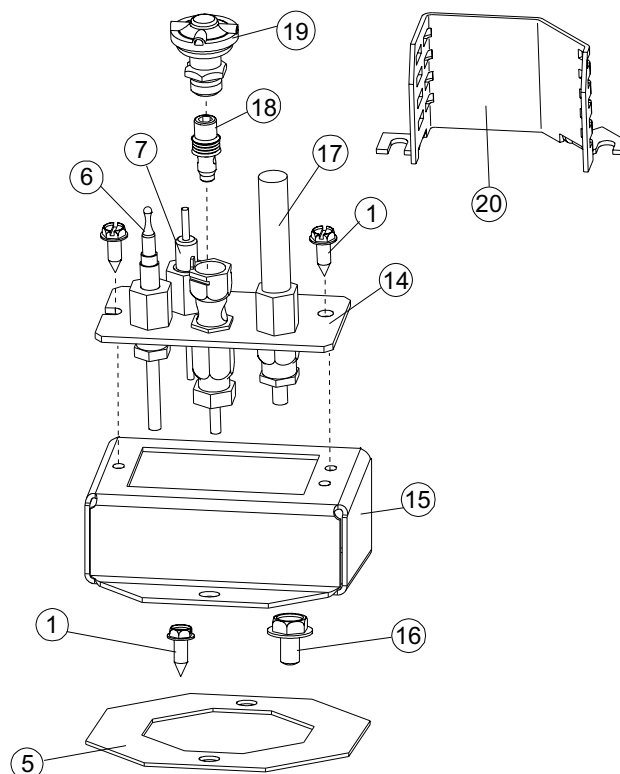


Figure 58.
GF 500 DV Burner and Pilot components.

No.	Part No.	Description
-----	----------	-------------

1.	117917	Screw 8 x 12 1/2 SL Blk Oxide
2.	225528	Exhaust Baffle Wing
3.	22545692	Exhaust Baffle
4.	224931	Brick Panel Retainer
5.	225864	Gasket, Pilot Assembly
6.	129766	Thermocouple, Standard w/ fittings
7.	129765	Electrode, inc. wire, STD (Pop-top)
8.	22547092	Burner Skirt
9.	22555892	Brick Panel Shelf
10.	223231	Orifice Holder, Drop-in Assembly
11.	222280	Gasket, Drop-in Orifice Holder
12.	225536	Orifice, 2.25 mm / Left, Rear Flames - NG
	129804	Orifice, 1.40 mm / Left, Rear Flames - LP
13.	220976	Orifice, #47 / Right, Front Flames - NG
	221185	Orifice, 1.20 mm / Right, Front Flames - LP
14.	129471	Pilot Assembly / NG
15.	225849	Pilot Spacer
16.	9962	Bolt, Hex Cap, M6 x 10
17.	3094527	Thermopile, Cast. Nova 820 valves
18.	129473	Orifice, Pilot, #30 / LP
	129472	Orifice, Pilot, #51 / NG
19.	220384	Pilot Hood, 3 flames, Nova 820
20.	224917	Pilot Shield, SIT



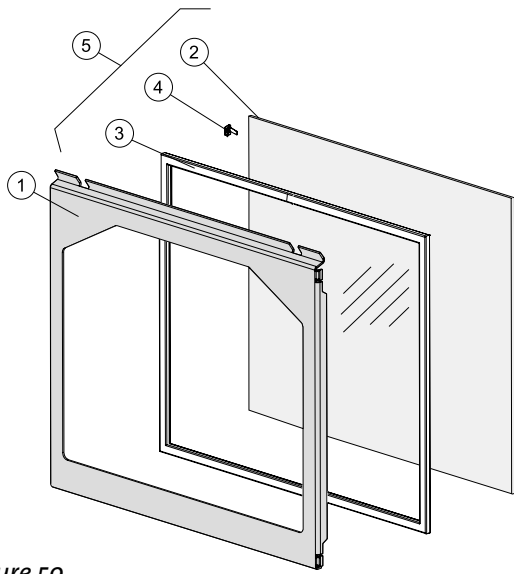


Figure 59.
GF 500 DV Glass Assembly

No.	Part No.	Description
1.	22545492	Glass Frame
2.	225476	Glass Panel, Ceramic
3.	129124	Gasket, Tadpole - .25 dia. x 1.25", 6 ft.
4.	220042	Replacement Glass Clips, 4
5.	157710	Replacement Glass Kit, GF 500 DV

Replacement Double-sided Brick Panel Parts / See pg.. 22

1.	225594	Rear Panel
2.	225595	Baffle Panel
3.	225596	Side Panel, A1
4.	225597	Side Panel, 2A

Replacement Log Set Parts / See pg.. 25

No.	Part No.	Description
1	225587	Rear Log
2.	225585	Lower Left Log
3.	225589	Lower Right Log
4.	225586	Upper Left Log
5.	225588	Upper Right Log
6.	225590	Small Front Log
7..	225451	Ember Stones
8.	157259	Rock Wool, 1 oz.
9.	157706	Complete Log Set